

SUMP UNIT

for Stora Base 150 - H 195/245

EN1433:2005

C250



DESCRIPTION

Polyester concrete two-piece sump unit for Stora-Base 150, height 195/245 with bucket and slotted ductile iron gratings C250

PRODUCT ADVANTAGES

- For Stora-Base 150 channel, height 195 and 245
- Delivered with galvanised bucket
- Sump unit with galvanised steel profile
- Grating fixing system: anchorage type I
- Horizontal outlet Ø 110/160
- Front outlet Ø 110
- Release through leverage by any traditional tools

MATERIAL

- Sump unit: polyester concrete
- Channel profile: galvanised steel
- Grating: ductile iron GJS 500-7 following on EN1563
- Bucket: galvanised steel

COATING

Grating: Non-toxic and non-polluting black water paint

CERTIFICATION

Certified EN 1433:2005

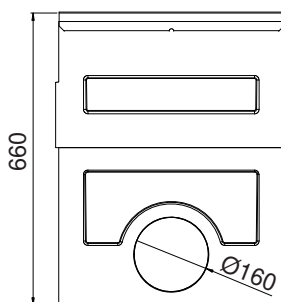
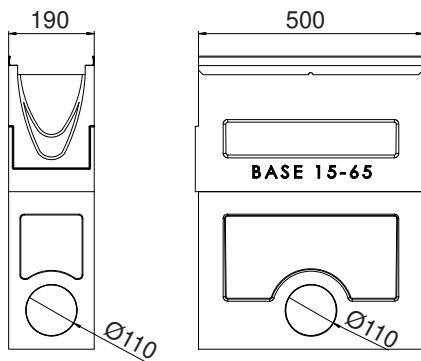
PLACE OF INSTALLATION

Group 3, Class C250 → see EN1433

Kerb sides and non-trafficked areas of hard shoulders and similar.

OPTION

- Available with galvanised C250 grating on request (article n° AU10411230)



REFERENCE	WITH GRATING (L 0,5M)	ARTICLE N°	KG	UNITS PER PALLET
Sump unit for Stora-Base 150 - H195/245	slotted iron grating C250, slot „Wave” 12mm	AU10411353	42,00	

Sizes in mm - Weights, sizes and sketch are indicative - Uncontrolled distribution.