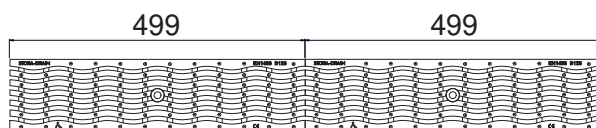
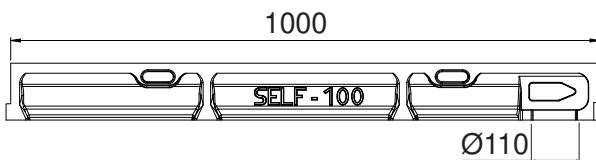
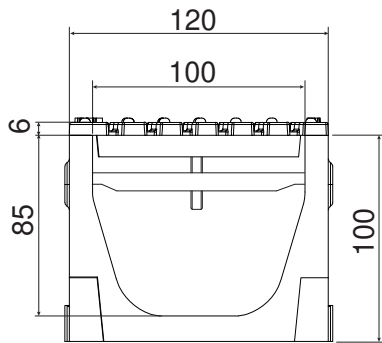


STORA SELF 100 - H100

with B125 ductile iron slotted grating, 6mm "WAVE" slot

EN1433:2005

B125



DESCRIPTION

Polyester concrete drainage channel width 100, height 100 with slotted grating ductile iron B125, Wave 6mm slot

PRODUCT ADVANTAGES

- Grating: slotted grating ductile iron B125, Wave 6mm slot
- Waterway area of the 2 gratings: 3,60 dm²
- Hydraulic capacity of the 2 gratings: 16 L/sec
- Grating slot < 20 mm, for additional security for wheelchairs and bicycles.
- Grating fixing system: anchorage screw I (M8x40)
- Predrilled vertical outlet Ø110
- Release through leverage by any traditional tools
- Edges of the channels are not visible = aesthetic
- The channels are assembled against each other by means of a tongue and groove jointing system (male/female); to ensure the channels watertightness it is recommended to use a suitable elastic polyurethane sealant.

MATERIAL

- Channel: polyester concrete
- Grating: ductile iron GJS 500-7 following on EN1563

COATING

Grating: Non-toxic and non-polluting black water paint

CERTIFICATION

Certified EN 1433:2005

PLACE OF INSTALLATION

Group 2, Class B125 →see EN1433

Footways, pedestrian areas and comparable areas, private car parks or car parking decks.

OPTIONS

- Endcap with outlet Ø 110
- Endcap without outlet
- Sump unit
- Stepped fall
- Also available in height 60 and 80

REFERENCE	ARTICLE N°	KG	UNITS PER PALLET
Stora-Self 100 H100 with B125 ductile iron slotted grating, 6mm "WAVE" slot	SE10101373S	11,20	72
Stora-Self 100 H100 1m channel	SE10101000N	6,30	
B125 ductile iron slotted grating, 6mm "WAVE" slot	RSE100B374	(2x) 2,45	

Sizes in mm - Weights, sizes and sketch are indicative - Uncontrolled distribution.