



www.stora-drain.be

STORA SUPER

POLYESTER CONCRETE DRAINAGE CHANNEL
WITH PROTECTIVE IRON PROFILE
D400 - F900



STORA-DRAIN

In harmony with nature...

LOAD CLASS

according EN1433:2005

The indications A15, B125, C250, D400, E600 or F900 measure the level of test resistance expressed in kN that is statically transmitted to the element being studied under laboratory conditions. For example, grid class C250 means that it transmits a strength of 250kN applied in accordance with EN 1433:2005.

CLASS

A 15

Areas which can only be used by pedestrians and cyclist, and similar A 15 areas such as green spaces.



CLASS

B 125

Footways, pedestrian areas and comparable areas, private car parks or car parking decks.



CLASS

C 250

Kerb sides and non-trafficked areas of hard shoulders and similar.



CLASS

D 400

Load traffic lanes (including pedestrian streets), hard shoulders and parking areas, for all types of road vehicles. Only longitudinal use, never transverse direction.



CLASS

E 600

Areas subjected to high wheel loads. Only longitudinal use, never transverse direction.



CLASS

F 900

Areas subjected to especially high wheel loads (e.g. aircraft pavements). Only longitudinal use, never transverse direction.





STORA-DRAIN

SUPER

POLYESTER CONCRETE DRAINAGE CHANNEL
WITH PROTECTIVE IRON PROFILE

STORA-DRAIN

SUPER

D400 / F900

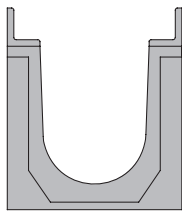


POLYESTER CONCRETE DRAINAGE CHANNEL WITH PROTECTIVE IRON PROFILE

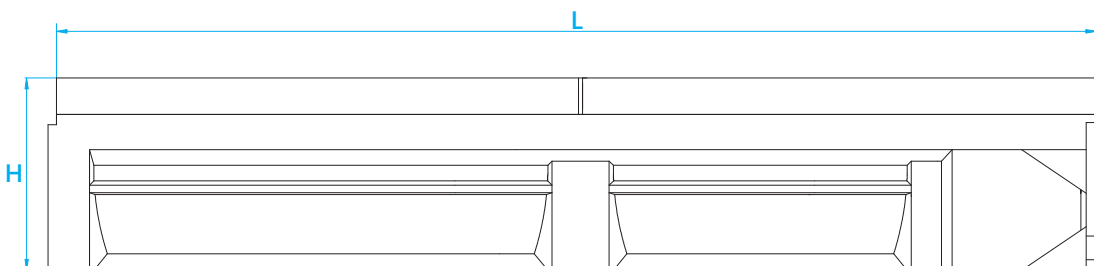
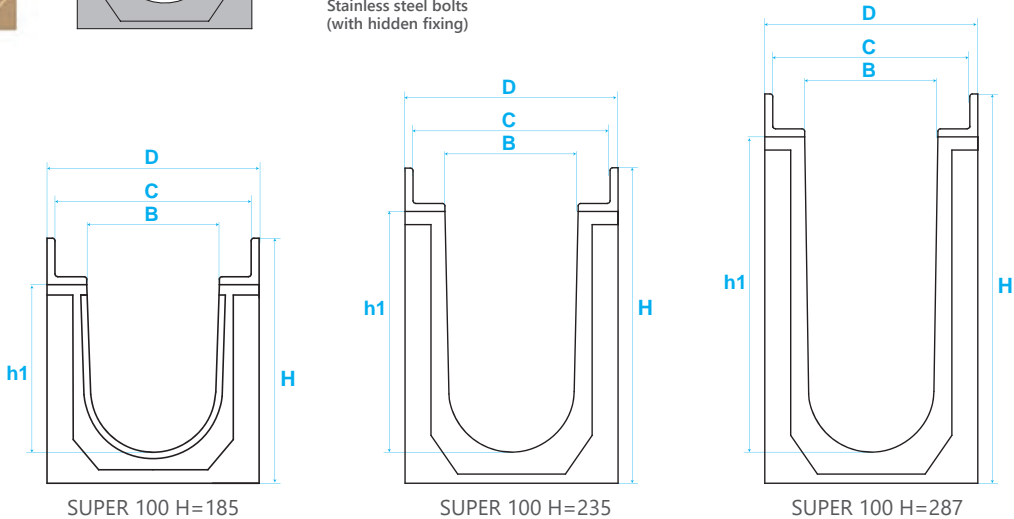
Due to their solid design, high strength, good chemical resistance and integrated iron protective edge profile, the polyester concrete channels from the **STORA SUPER** range are the ideal solution for surface water drainage in areas with heavy and intensive traffic loads. The **100mm, 150mm, 200mm** and **300mm** wide channels are available in 3 heights each with level invert and can be installed in stepped-fall system. All channels within the **STORA SUPER** range are delivered complete with gratings in various loadings. **STORA SUPER** channels are suitable for strengths of class **D400** and class **F900**.



STORA SUPER
channel with integrated
iron profiles



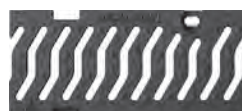
Stainless steel bolts
(with hidden fixing)



STORA-DRAIN

SUPER**100**

CHANNEL + GRATING

D400

- stainless steel anchorage
- ductile iron grating slots "S" 10mm

B=100 C=147 D=160	N°	H	h1	Vert. outlet on channel	hydraulic capacity	KG	units per pallet	waterway area	Article number
channel L=1m	S1	185	133	Ø 110	(2x) 11,83 L/sec	33,13	30	(2x) 1,8 dm ²	SU10181322
channel L=0,5m cross	S1	185	133	Ø 110	11,83 L/sec	20,10	-	1,8 dm ²	SU10185322
channel L=1m	S2	235	183	Ø 110	(2x) 11,83 L/sec	39,60	24	(2x) 1,8 dm ²	SU10231322
channel L=0,5m cross	S2	235	183	Ø 110	11,83 L/sec	16,90	-	1,8 dm ²	SU10235322
channel L=1m	S3	287	233	Ø 110	(2x) 11,83 L/sec	44,60	18	(2x) 1,8 dm ²	SU10281322
channel L=0,5m cross	S3	287	233	Ø 110	11,83 L/sec	25,50	-	1,8 dm ²	SU10285322

Class D400 : only longitudinal use, never transverse direction.

STORA-DRAIN

SUPER**100**

CHANNEL + GRATING

F900

- stainless steel anchorage
- ductile iron grating slots "S" 10mm

B=100 C=147 D=160	N°	H	h1	Vert. outlet on channel	hydraulic capacity	KG	units per pallet	waterway area	Article number
channel L=1m	S1	185	133	Ø 110	(2x) 11,83 L/sec	38,30	24	(2x) 1,8 dm ²	SU10181337
channel L=0,5m cross	S1	185	133	Ø 110	11,83 L/sec	22,70	-	1,8 dm ²	SU10185337
channel L=1m	S2	235	183	Ø 110	(2x) 11,83 L/sec	44,80	18	(2x) 1,8 dm ²	SU10231337
channel L=0,5m cross	S2	235	183	Ø 110	11,83 L/sec	25,30	-	1,8 dm ²	SU10235337
channel L=1m	S3	287	233	Ø 110	(2x) 11,83 L/sec	49,80	18	(2x) 1,8 dm ²	SU10281337
channel L=0,5m cross	S3	287	233	Ø 110	11,83 L/sec	28,10	-	1,8 dm ²	SU10285337

Class F900 : only longitudinal use, never transverse direction.

STORA-DRAIN

SUPER

100

CHANNEL + GRATING

F900 HM *



- stainless steel anchorage
- ductile iron grating
- slots heelmaster "S" 6mm

B=100 C=147 D=160	N°	H	h1	Vert. outlet on channel	hydraulic capacity	KG	units per pallet	waterway area	Article number
channel L=1m	S1	185	133	Ø 110	(2x) 7,9 L/sec		24	(2x) 1,20 dm ²	
channel L=0,5m cross	S1	185	133	Ø 110	7,9 L/sec		-	1,20 dm ²	
channel L=1m	S2	235	183	Ø 110	(2x) 7,9 L/sec		18	(2x) 1,20 dm ²	
channel L=0,5m cross	S2	235	183	Ø 110	7,9 L/sec		-	1,20 dm ²	
channel L=1m	S3	287	233	Ø 110	(2x) 7,9 L/sec		18	(2x) 1,20 dm ²	
channel L=0,5m cross	S3	287	233	Ø 110	7,9 L/sec		-	1,20 dm ²	

Class F900 : only longitudinal use, never transverse direction.

F900 *



- anchorage cover
- cast iron cover, DUCTING

STORA-DRAIN

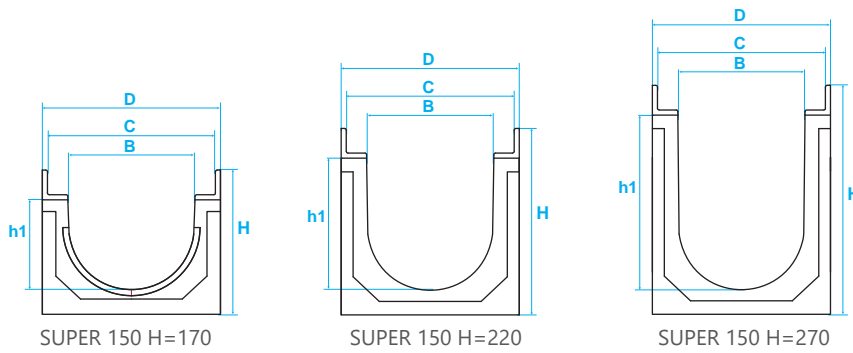
SUPER

100

CHANNEL + COVER

B=100 C=147 D=160	N°	H	h1	Vert. outlet on channel	KG	units per pallet	Article number
channel L=1m	S1	185	133	Ø 110	39,00	24	
channel L=0,5m cross	S1	185	133	Ø 110	21,90	-	
channel L=1m	S2	235	183	Ø 110	45,50	18	
channel L=0,5m cross	S2	235	183	Ø 110	23,60	-	
channel L=1m	S3	287	233	Ø 110	49,50	18	
channel L=0,5m cross	S3	287	233	Ø 110	27,70	-	

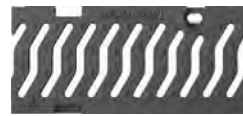
Class F900 : only longitudinal use, never transverse direction.



STORA-DRAIN

SUPER 150
CHANNEL + GRATING

D400



- stainless steel anchorage
- ductile iron grating slots "S" 10mm

B=150 C=197 D=210	H	h1	Vert. outlet on channel	hydraulic capacity	KG	units per pallet	waterway area	Article number
channel L=1m	170	114	Ø 160	(2x) 19,7 L/sec	46,30	25	(2x) 3,00 dm ²	SU15171320
channel L=1m	220	164	Ø 160	(2x) 19,7 L/sec	51,00	24	(2x) 3,00 dm ²	SU15221320
channel L=1m	270	214	Ø 160	(2x) 19,7 L/sec	56,40	20	(2x) 3,00 dm ²	SU15271320
channel L=0,5m cross	270	214	390x125	19,7 L/sec	39,00	-	3,00 dm ²	SU15275320

Class D400 : only longitudinal use, never transverse direction.

F900

STORA-DRAIN

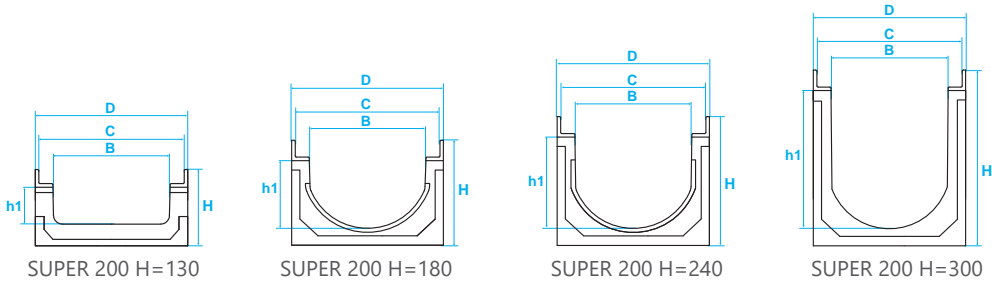
SUPER 150
CHANNEL + GRATING



- stainless steel anchorage
- ductile iron grating slots "S" 10mm

B=150 C=197 D=210	H	h1	Vert. outlet on channel	hydraulic capacity	KG	units per pallet	waterway area	Article number
channel L=1m	170	114	Ø 160	(2x) 19,7 L/sec	54,00	25	(2x) 3,00 dm ²	SU15171328
channel L=1m	220	164	Ø 160	(2x) 19,7 L/sec	58,70	24	(2x) 3,00 dm ²	SU15221328
channel L=1m	270	214	Ø 160	(2x) 19,7 L/sec	63,30	20	(2x) 3,00 dm ²	SU15271328
channel L=0,5m cross	270	214	390x125	19,7 L/sec	42,80	-	3,00 dm ²	SU15275328

Class F900 : only longitudinal use, never transverse direction.

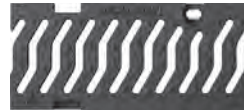


STORA-DRAIN

SUPER 200

CHANNEL + GRATING

D400



- stainless steel anchorage
- ductile iron grating slots "S" 12mm

B=200 C=247 D=260	H	h1	Vert. outlet on channel	hydraulic capacity	KG	units per pallet	waterway area	Article number
channel L=1m	130	73	Ø 160	(2x) 28,25 L/sec	55,10	20	(2x) 4,3 dm ²	SU20131329
channel L=0,5m	130	73	-	28,25 L/sec	25,30	-	4,3 dm ²	SU20135329
channel L=1m	180	123	Ø 200	(2x) 28,25 L/sec	61,10	16	(2x) 4,3 dm ²	SU20181329
channel L=1m	240	183	Ø 200	(2x) 28,25 L/sec	67,50	16	(2x) 4,3 dm ²	SU20241329
channel L=1m	300	243	Ø 200	(2x) 28,25 L/sec	69,70	12	(2x) 4,3 dm ²	SU20301329
channel L=0,5m cross	300	243	390x130	28,25 L/sec	43,50	-	4,3 dm ²	SU20305329

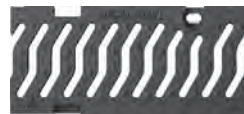
Class D400 : only longitudinal use, never transverse direction.

F900

STORA-DRAIN

SUPER 200

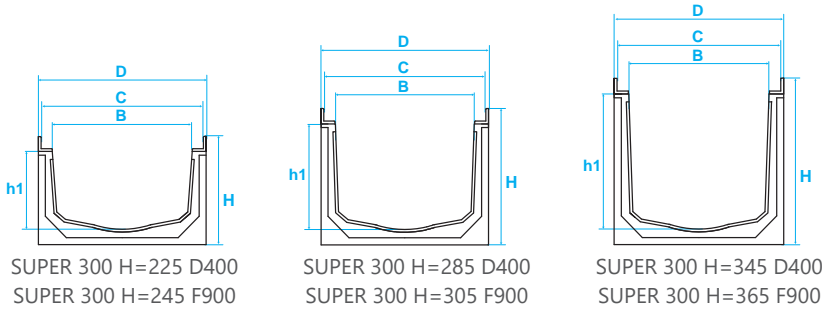
CHANNEL + GRATING



- stainless steel anchorage
- ductile iron grating slots "S" 10mm

B=200 C=247 D=260	H	h1	Vert. outlet on channel	hydraulic capacity	KG	units per pallet	waterway area	Article number
channel L=1m	130	73	Ø 160	(2x) 28,25 L/sec	65,50	16	(2x) 4,3 dm ²	SU20131325
channel L=0,5m	130	73	-	28,25 L/sec	27,60	-	4,3 dm ²	SU20135325
channel L=1m	180	123	Ø 200	(2x) 28,25 L/sec	67,90	12	(2x) 4,3 dm ²	SU20181325
channel L=1m	240	183	Ø 200	(2x) 28,25 L/sec	74,40	12	(2x) 4,3 dm ²	SU20241325
channel L=1m	300	243	Ø 200	(2x) 28,25 L/sec	77,50	12	(2x) 4,3 dm ²	SU20301325
channel L=0,5m cross	300	243	390x130	28,25 L/sec	45,80	-	4,3 dm ²	SU20305325

Class F900 : only longitudinal use, never transverse direction.

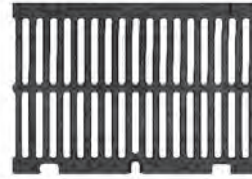


STORA-DRAIN

SUPER 300

CHANNEL + GRATING

D400

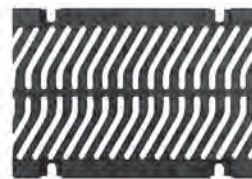


- stainless steel anchorage
- ductile iron grating slots 13mm

B=300 C=347 D=360	H	h1	Vert. outlet on channel	hydraulic capacity	KG	units per pallet	waterway area	Article number
channel L=1m	225	153	Ø 200	(2x) 32,5 L/sec	87,60	6	(2x) 4,95 dm ²	SU30221364
channel L=1m	285	233	Ø 200	(2x) 32,5 L/sec	90,60	6	(2x) 4,95 dm ²	SU30281364
channel L=1m	345	273	Ø 200	(2x) 32,5 L/sec	96,60	6	(2x) 4,95 dm ²	SU30341364
channel L=0,5m cross	345	273	390x210	32,5 L/sec	59,50	-	4,95 dm ²	SU30345364

Class D400 : only longitudinal use, never transverse direction.

F900



- stainless steel anchorage
- ductile iron grating slots "S"

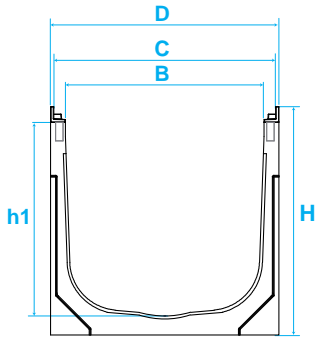
STORA-DRAIN

SUPER 300

CHANNEL + GRATING

B=300 C=347 D=360	H	h1	Vert. outlet on channel	hydraulic capacity	KG	units per pallet	waterway area	Article number
channel L=1m	245	173	Ø 200	(2x) 28,25 L/sec	119,90	6	(2x) 4,30 dm ²	SU30241333
channel L=1m	305	233	Ø 200	(2x) 28,25 L/sec	122,90	6	(2x) 4,30 dm ²	SU30301333
channel L=1m	365	293	Ø 200	(2x) 28,25 L/sec	128,90	6	(2x) 4,30 dm ²	SU30361333
channel L=0,5m cross	365	293	390x210	28,25 L/sec	71,55	-	4,30 dm ²	SU30365333

Class F900 : only longitudinal use, never transverse direction.



STORA-DRAIN

SUPER 400
CHANNEL + GRATING

D400



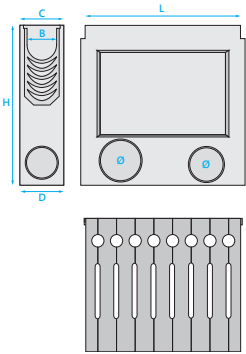
- stainless steel anchorage
- ductile iron grating slots "WAVE"

B=400 C=447 D=460	H	h1	Vert. outlet on channel	hydraulic capacity	KG	units per pallet	waterway area	Article number
channel L=1m	460	397	-	(2x) 20,70 L/sec	140,60	4	(2x) 6,30 dm ²	SU40461368

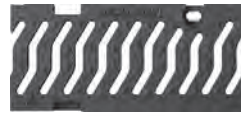
Class D400 : only longitudinal use, never transverse direction.



SUMP UNIT 100

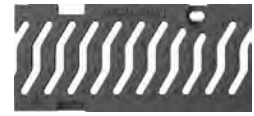


D400



■ One part sump unit + bucket + iron grating, slot "S"

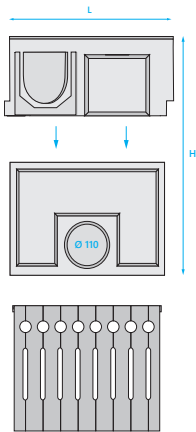
F900



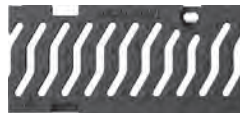
■ One part sump unit + bucket + iron grating, slot "S"

L	500	500
H	590	590
Side outlet	Ø 110/160	Ø 110/160
KG	48,50	49,80
Article number	AU10301322	AU10301337

SUMP UNIT 150*

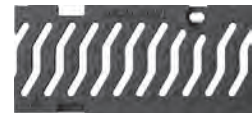


D400



■ Two parts sump unit + bucket + iron grating, slot "S"

F900



■ Two parts sump unit + bucket + iron grating, slot "S"

L	500	500
H	620	620
Side outlet	Ø 110/160/200	Ø 110/160/200
KG	62,80	66,60
Article number	AU10401320	AU10401328

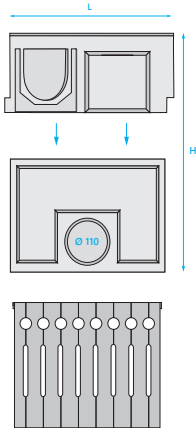
STEPPED FALL 100/150

Type	N°	For channel (H)	KG	Article number
100	S1	H=185, 235, 287	0,70	AL10000000
150	S1	H=170-220, 220-270	2,30	AL15000000
150	S2	H=170 to 270	1,00	AL15010000



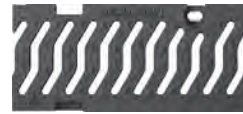
* For channels **SUPER 150 / H=170** or **SUPER 150 / H=220**, is necessary to buy STEPPED FALL to connect channels with SUMP UNIT.

SUMP UNIT 200*



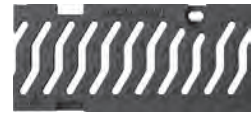
	D400	F900
L	500	500
H	650	650
Side outlet	110/160/200/225/250	110/160/200/225/250
KG	71,40	73,70
Article number	AU10601329	AU10601325

D400



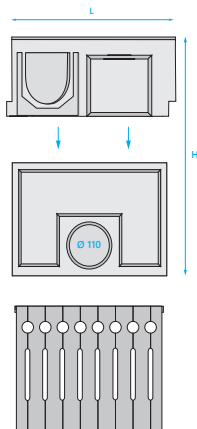
■ Two parts sump unit + bucket + iron grating, slot "S"

F900



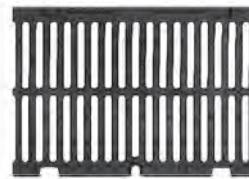
■ Two parts sump unit + bucket + iron grating, slot "S"

SUMP UNIT 300*



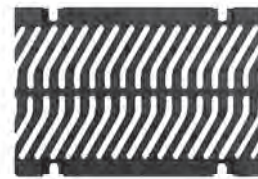
	D400	F900
L	500	500
H	715	715
Side outlet	Ø 110/160/200/225/250	Ø 110/160/200/225/250
KG	84,40	99,45
Article number	AU10601364	AU10601333

D400



■ Two parts sump unit + bucket + iron grating

F900



■ Two parts sump unit + bucket + iron grating

* For channels: **SUPER 200, H=180/240** or **SUPER 300, H=245/305**, is necessary to buy **STEPPED FALL** to connect channels with SUMP UNIT.

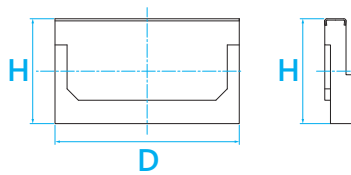
STEPPED FALL 200/300

Type	N°	For channel (H)	KG	Article number
200	S1	H=180-240, 240-300	2,30	AL20000000
200	S2	H=180 to 300	1,50	AL20010000
300	S1	H=245-305, 305-365	3,80	AL20020000
300	S2	H=245 to 365	3,80	AL20030000

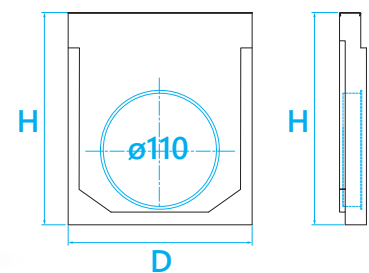


ENDCAPS 100/150/200/300/400

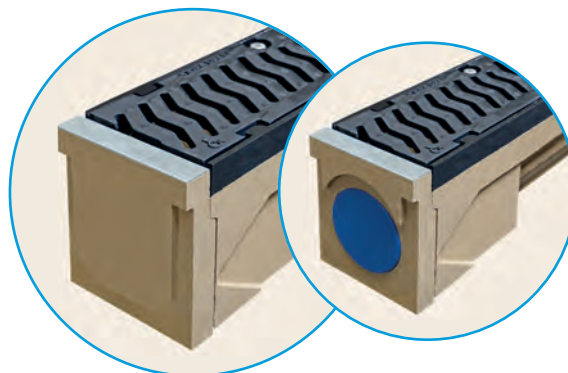
Type	N°	H	Installation before/after channel	Integrated In-/Outlet with gasket and PE cover plate	Article number
100	1-5	161	n° 1 to 5	Ø 110	AE10005000
100	6-10/S1	185	n° 6 to 10, S1	closed	AE10055000
100	6-10/S1	185	n° 6 to 10, S1	Ø 110	AE10015000
100	11-15	215	n° 11 to 15	Ø 110	AE10025000
100	16-20/S2	235	n° 16 to 20, S2	Ø 110	AE10035000
100	S3	287	S3	Ø 110	AE10045000
150	150	170	H=170	Ø 110	AE15005000
150	150	220	H=220	Ø 110	AE15015000
150	150	270	H=270	Ø 160	AE15025000
200	200	130	H=130	closed	AE20005000
200	200	180	H=180	Ø 110	AE20015000
200	200	240	H=240	Ø 160	AE20025000
200	200	300	H=300	Ø 160	AE20035000
300	300	245	H=230-245	Ø 200	AE30005000
300	300	305	H=290-305	Ø 200	AE30015000
300	300	365	H=350-365	Ø 200	AE30025000
400	400	460	H=460	Ø 200	AE40001000



Closed



Universal



SPRAY BITUME

Type	Color	Capacity	Article number
Bitumen Adhesion Primer as bonding primer. It optimises bituminous plant mix work by preparing the surface to be treated properly and improving its adhesion capability. The aerosols preclude the use of tools such as brushes and blades. Capacity: 400 ml	Noir	400 ml	PFA0000002



ASSEMBLY TYPE

For the Stora-Drain range two different types of assembly are possible:

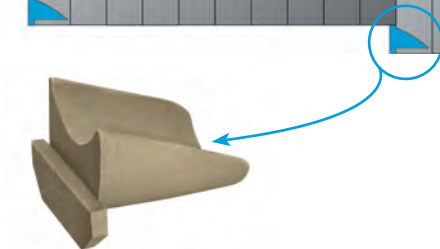
WITHOUT SLOPE

Without slope, it is the easiest way because all the channels (flat bottom) are the same and the water follows the natural slope of the ground



STEPPED-FALL

The total drainage line is achieved as the addition of short lines made by channels with flat bottoms; each short line has a different height and they are connected by inverting the levels

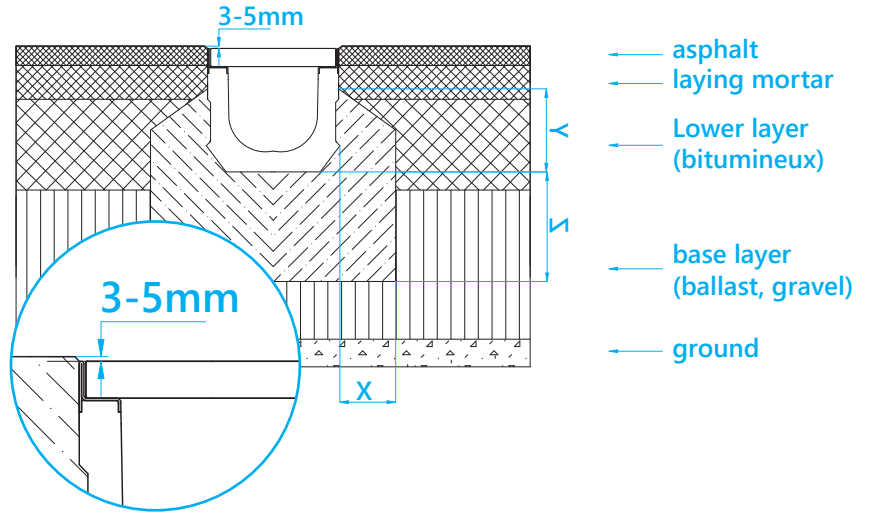


INSTALLATION INSTRUCTIONS

INSTALLATION EXAMPLE - ASPHALT

CLASS D400 / E600 / F900

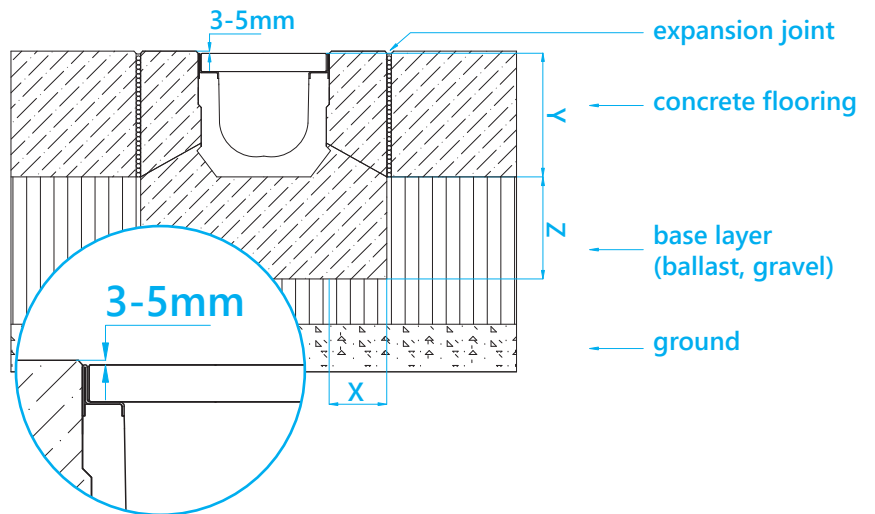
Load Class ac.: PN EN 1433		D400	E600	F900
Minimum compressive concrete strength to:	DIN 1045-2	B25	B25	B25
	DIN EN 206-01	C20/25	C20/25	C20/25
Dimensions	X (mm)	≥ 200	≥ 200	≥ 200
	Y (mm)	Full channel height		
	Z (mm)	≥ 200	≥ 200	≥ 200



INSTALLATION EXAMPLE - CONCRETE

CLASS D400 / E600 / F900

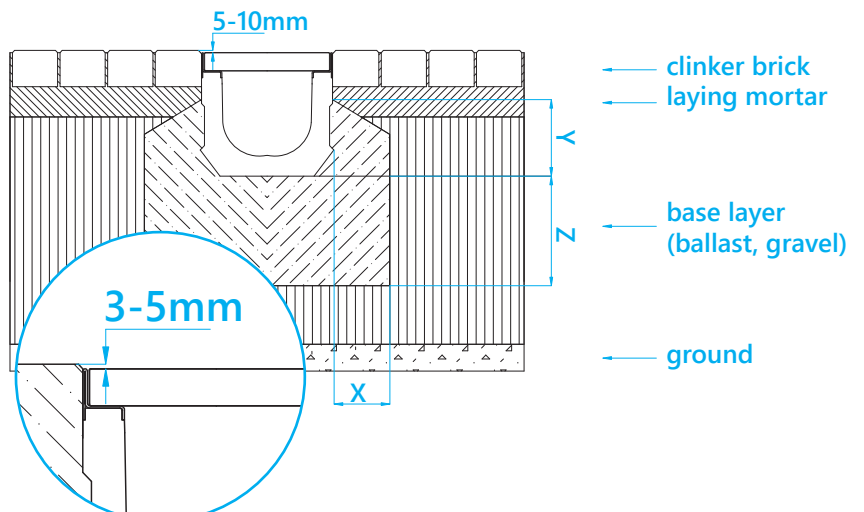
Load Class ac.: PN EN 1433		D400	E600	F900
Minimum compressive concrete strength to:	DIN 1045-2	B25	B25	B25
	DIN EN 206-01	C20/25	C20/25	C20/25
Dimensions	X (mm)	≥ 200	≥ 200	≥ 200
	Y (mm)	Full channel height		
	Z (mm)	≥ 200	≥ 200	≥ 200



INSTALLATION EXAMPLE - CLINKER BRICK

CLASS D400 / E600 / F900

Load Class ac.: PN EN 1433		D400	E600	F900
Minimum compressive concrete strength to:	DIN 1045-2	B25	B25	B25
	DIN EN 206-01	C20/25	C20/25	C20/25
Dimensions	X (mm)	≥ 200	≥ 200	≥ 200
	Y (mm)	Full channel height		
	Z (mm)	≥ 200	≥ 200	≥ 200



IMCOMA s.a.
Zwaarveld 32
9220 Hamme, Belgium
Phone +32 (0)52 499 899
info@imcoma.com

 **STORA-DRAIN**



www.stora-drain.be