

STORA SUPER 300 - H345

with D400 slotted ductile iron gratings, 13mm slot



EN1433:2005

D400



DESCRIPTION

Polyester concrete drainage channel with cast iron protective edge profile, width 300, height 345 and 2 gratings D400 ductile iron, 13mm slot. Solid construction, good chemical resistance, integrated ductile iron profile, with security joint.

ADVANTAGE PRODUCT

- Grating: 2 gratings ductile iron, 13mm slot
- Waterway area of the 2 gratings: 9,90 dm²
- Hydraulic capacity of the 2 gratings: 65,00 L/sec
- Opening between bars <20mm. To guarantee the accessibility of public places for disabled persons, the slots of the gratings with the disabled-symbol are never larger than 20mm.
- Gratings with unique anti-skid surface
- Predrilled vertical outlet \varnothing 200mm
- Grating fixing system: 1 M10 stainless steel bolt per grating + 2 integrated, in the profile, ridges
- The channels are assembled against each other by means of a tongue and groove jointing system (male/female); to ensure the channels watertightness it is recommended to use a suitable elastic polyurethane sealant.
- Cascade installation possible in combination with heights 225 and 285.

MATERIAL

- Channel: polyester concrete
- Protective edge profile: ductile iron GJS 500-7 following EN1563
- Grating: ductile iron GJS 500-7 following EN1563

COATING

Grating: Non-toxic and non-polluting black water paint

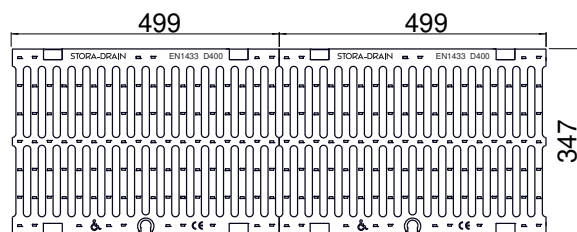
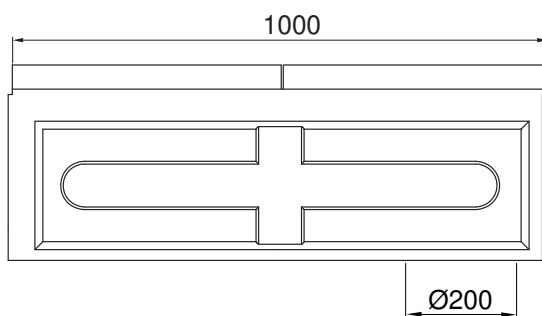
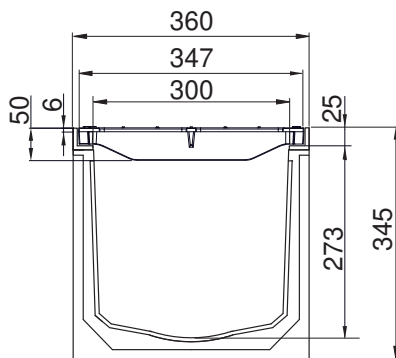
CERTIFICATION

Certified EN 1433:2005

PLACE OF INSTALLATION

Group 4, Class D400 → see EN1433

Load traffic lanes (including pedestrian streets), hard shoulders and parking areas, for all types D 400 of road vehicles.



OPTIONS

- Universal endcap with integrated outlet \varnothing 200
- Sump unit
- Stepped fall
- Also available in heights 225 and 285

REFERENCE	ART.N°	KG	PACK.
Stora-Super 300 H350 slotted gratings D400 ductile iron, 13mm slot.	SU3061364	96,60	6

Sizes in mm - Weights, sizes and sketch are indicative - Uncontrolled distribution.