



www.stora-drain.be

STORA SELF

POLYESTER CONCRETE DRAINAGE CHANNELS
A15-B125



STORA-DRAIN

In harmony with nature...

LOAD CLASS

according EN1433:2005

The indications A15, B125, C250, D400, E600 or F900 measure the level of test resistance expressed in kN that is statically transmitted to the element being studied under laboratory conditions. For example, grid class C250 means that it transmits a strength of 250kN applied in accordance with EN 1433:2005.

CLASS

A 15

Areas which can only be used by pedestrians and cyclist, and similar A 15 areas such as green spaces.



CLASS

B 125

Footways, pedestrian areas and comparable areas, private car parks or car parking decks.



CLASS

C 250

Kerb sides and non-trafficked areas of hard shoulders and similar.



CLASS

D 400

Load traffic lanes (including pedestrian streets), hard shoulders and parking areas, for all types of road vehicles. Only longitudinal use, never transverse direction.



CLASS

E 600

Areas subjected to high wheel loads. Only longitudinal use, never transverse direction.



CLASS

F 900

Areas subjected to especially high wheel loads (e.g. aircraft pavements). Only longitudinal use, never transverse direction.





STORA-DRAIN

SELF

POLYESTER CONCRETE DRAINAGE CHANNELS

STORA-DRAIN

SELF

A15 / B125



POLYESTER CONCRETE DRAINAGE CHANNELS

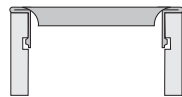
The polyester concrete drainage channels from the **STORA SELF** range are the ideal solution for surface water drainage around private houses, garage doors, terraces and domestic driveways, due to their low and high strength. The channels are available in several widths and in 1m or 0,5m lengths. All channels are level invert and are connected by means of a tongue and groove jointing system. A wide range of onlay gratings is available with the system to suit a variety of applications. **STORA SELF** channels are available in the following strength classes: **A15, B125**.

SELF

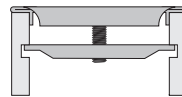


Channel **STORA SELF** with ductile iron cast grating

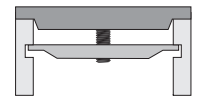
Channel **STORA SELF** with galvanised grating



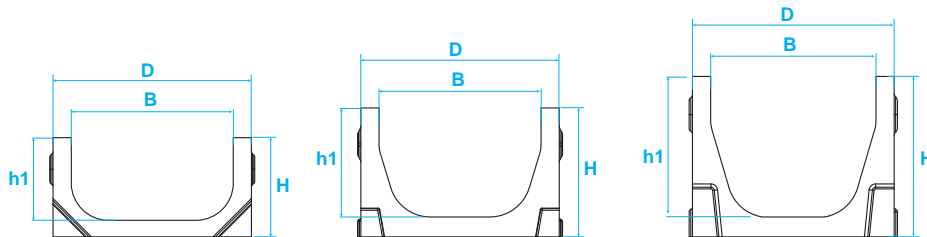
Anchorage FIX system



Anchorage bridge + screw with galvanised grating



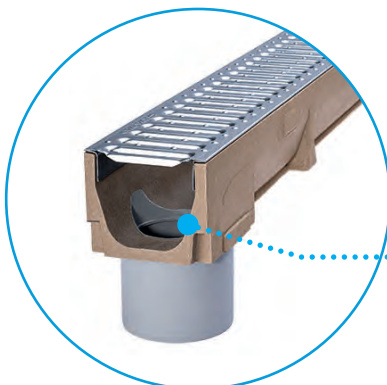
Anchorage bridge + screw with iron grating



SELF 100 H=60

SELF 100 H=80

SELF 100 H=100



STORA SELF with vertical outlet

STORA-DRAIN

SELF**100**

CHANNEL + GRATING

A15

- FIX system
- galvanised slotted grating
- slots 10mm

B=100, D=120	H	h1	Vert. outlet on channel	hydraulic capacity	KG	units per pallet	waterway area	Article number
channel L=1m	60	50	Ø 110	18,39 L/sec	6,20	108	2,80 dm ²	SE10061100N
channel L=1m	80	68	Ø 110	18,39 L/sec	6,70	108	2,80 dm ²	SE10081100N
channel L=1m with pipe Ø 110	80	68	Ø 110	18,39 L/sec	6,70	-	2,80 dm ²	SE10081100PN
channel L=1m	100	85	Ø 110	18,39 L/sec	7,90	108	2,80 dm ²	SE10101100SN
channel L=0,5m cross	100	85	Ø 110	9,20 L/sec	4,98	-	1,40 dm ²	SE10105101N
channel L=1m with pipe Ø 110	100	85	Ø 110	18,39 L/sec	7,90	-	2,80 dm ²	SE10101100PN

half of quantity on one pallet are with possibility to make vertical outlet

SELF

STORA-DRAIN

SELF**100**

CHANNEL + GRATING

A15

- FIX system
- galvanised slotted grating
- slots 6mm

B=100, D=120	H	h1	Vert. outlet on channel	hydraulic capacity	KG	units per pallet	waterway area	Article number
channel L=1m	60	50	Ø 110	11,82 L/sec	6,20	108	1,80 dm ²	SE10061102N
channel L=1m	80	68	Ø 110	11,82 L/sec	6,70	108	1,80 dm ²	SE10081102N
channel L=1m with pipe Ø 110	80	68	Ø 110	11,82 L/sec	6,70	-	1,80 dm ²	SE10081102PN
channel L=1m	100	85	Ø 110	11,82 L/sec	7,90	108	1,80 dm ²	SE10101102SN
channel L=0,5m cross	100	85	Ø 110	5,91 L/sec	4,98	-	0,90 dm ²	SE10105103N
channel L=1m with pipe Ø 110	100	85	Ø 110	11,82 L/sec	7,90	-	1,80 dm ²	SE10101102PN

half of quantity on one pallet are with possibility to make vertical outlet



STORA SELF 100 H100

STORA SELF 100 H80

STORA SELF 100 H60

B125



- anchorage screw
- ductile iron grating
- slots "Wave" 6mm

STORA-DRAIN

SELF

100

CHANNEL + GRATING

B=100, D=120	H	h1	Vert. outlet on channel	hydraulic capacity	KG	units per pallet	waterway area	Article number
channel L=1m	60	50	Ø 110	(x2) 8,00 L/sec	9,60	90	(2x) 1,80 dm ²	SE10061373
channel L=1m	80	68	Ø 110	(x2) 8,00 L/sec	10,10	90	(2x) 1,80 dm ²	SE10081373
channel L=1m with pipe Ø 110	80	68	Ø 110	(x2) 8,00 L/sec	10,10	-	(2x) 1,80 dm ²	SE10081373P
channel L=1m	100	85	Ø 110	(x2) 8,00 L/sec	11,20	72	(2x) 1,80 dm ²	SE10101373S
channel L=0,5m pièce d'intersection	100	85	Ø 110	8,00 L/sec	7,19	-	1,80 dm ²	SE10105373
channel L=1m with pipe Ø 110	100	85	Ø 110	(x2) 8,00 L/sec	11,20	-	(2x) 1,80 dm ²	SE10101373P

half of quantity on one pallet are with possibility to make vertical outlet

B125



- anchorage screw
- ductile iron grating
- meshes 10x30mm

STORA-DRAIN

SELF

100

CHANNEL + GRATING

B=100, D=120	H	h1	Vert. outlet on channel	hydraulic capacity	KG	units per pallet	waterway area	Article number
channel L=1m	60	50	Ø 110	(x2) 7,23 L/sec	10,50	90	(2x) 2,20 dm ²	SE10061334N
channel L=1m	80	68	Ø 110	(x2) 7,23 L/sec	11,00	90	(2x) 2,20 dm ²	SE10081334N
channel L=1m with pipe Ø 110	80	68	Ø 110	(x2) 7,23 L/sec	11,00	-	(2x) 2,20 dm ²	SE10081334PN
channel L=1m	100	85	Ø 110	(x2) 7,23 L/sec	11,30	90	(2x) 2,20 dm ²	SE10101334SN
channel L=0,5m cross	100	85	Ø 110	7,23 L/sec	6,66	-	2,20 dm ²	SE10105334N
channel L=1m with pipe Ø 110	100	85	Ø 110	(x2) 7,23 L/sec	11,30	-	(2x) 2,20 dm ²	SE10101334PN

half of quantity on one pallet are with possibility to make vertical outlet

STORA-DRAIN

SELF**100**

CHANNEL + GRATING

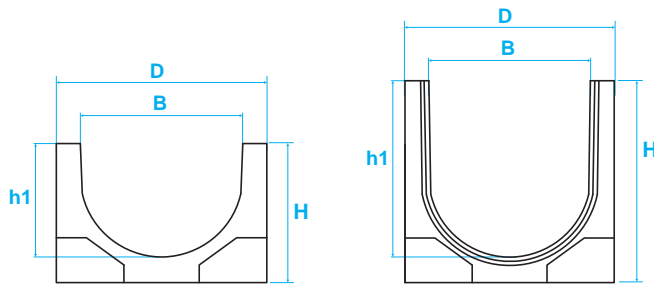
B125

KTL coating

- anchorage screw
- ductile iron grating
- meshes 10x30mm

B=100, D=120	H	h1	Vert. outlet on channel	hydraulic capacity	KG	units per pallet	waterway area	Article number
channel L=1m	60	50	Ø 110	(x2) 7,23 L/sec	10,50	90	(2x) 1,10 dm ²	SE10061335N
channel L=1m	80	68	Ø 110	(x2) 7,23 L/sec	11,00	90	(2x) 1,10 dm ²	SE10081335N
channel L=1m with pipe Ø 110	80	68	Ø 110	(x2) 7,23 L/sec	11,00	-	(2x) 1,10 dm ²	SE10081335PN
channel L=1m	100	85	Ø 110	(x2) 7,23 L/sec	11,30	90	(2x) 1,10 dm ²	SE10101335SN
channel L=0,5m cross	100	85	Ø 110	7,23 L/sec	7,40	-	1,10 dm ²	SE10105335N
channel L=1m with pipe Ø 110	100	85	Ø 110	(x2) 7,23 L/sec	11,30	-	(2x) 1,10 dm ²	SE10101335PN

half of quantity on one pallet are with possibility to make vertical outlet



SELF 150 H=120

SELF 150 H=195

A15

- anchorage screw
- galvanised slotted grating
- slots 10mm

STORA-DRAIN

SELF**150**

CHANNEL + GRATING

B=150, D=195	H	h1	Vert. outlet on channel	hydraulic capacity	KG	units per pallet	waterway area	Article number
channel L=1m	120	96	Ø 160	27,50 L/sec	16,20	30	4,20 dm ²	SE15121110
channel L=1m	190	171	Ø 160	27,50 L/sec	21,80	20	4,20 dm ²	SE15191110N
channel L=0,5m cross	190	171	Ø 160	13,75 L/sec	16,20	-	2,10 dm ²	SE15195111N

SELF

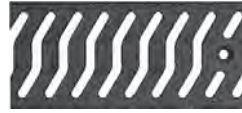
STORA-DRAIN

SELF

150

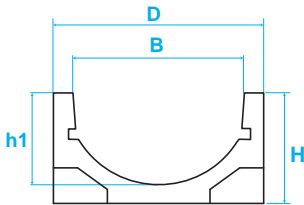
CHANNEL + GRATING

B125

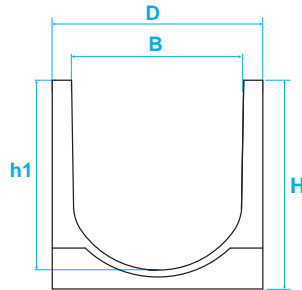


- grating ancrage
- grating en fonte, fente "S"
- fente 11mm

B=150, D=195	H	h1	Vert. outlet on channel	hydraulic capacity	KG	units per pallet	waterway area	Article number
channel L=1m	120	96	Ø 160	(x2) 10,50 L/sec	24,80	30	(2x) 1,60 dm ²	SE15121327
channel L=1m	195	171	Ø 160	(x2) 10,50 L/sec	27,00	25	(2x) 1,60 dm ²	SE15191327N
channel L=0,5m cross	195	171	Ø 160	10,50 L/sec	19,40		1,60 dm ²	SE15195327N



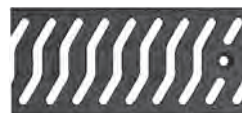
SELF 200 H=130



SELF 200 H=240



B125



- anchorage screw
- ductile iron grating
- slots "S" 11mm

STORA-DRAIN

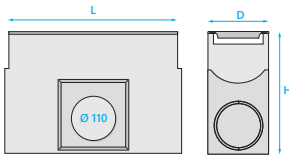
SELF

200

CHANNEL + GRATING

B=200, D=245	H	h1	Vert. outlet on channel	hydraulic capacity	KG	units per pallet	waterway area	Article number
channel L=1m	130	108	Ø 200	(x2) 14,13 L/sec	30,20	-	(2x) 2,15 dm ²	SE20131326
channel L=1m	240	220	Ø 200	(x2) 14,13 L/sec	35,70	-	(2x) 2,15 dm ²	SE20241326N
channel L=0,5m cross	240	220	Ø 200	14,13 L/sec	23,10	-	2,15 dm ²	SE20245326N

SUMP UNIT 100



A15



- One part sump unit + bucket + galvanised grating slot 10mm

A15

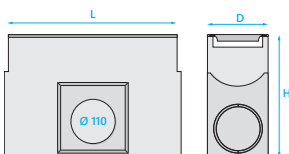


- One part sump unit + bucket + galvanised grating slot 6mm

L	500	500
H	250	250
Front/side outlet	Ø 110	Ø 110
KG	12,70	12,70
Article number	AU10011101N for H=60-120	AU10011103N for H=60-120

SELF

SUMP UNIT 100



B125



- One part sump unit + bucket + iron grating slot "Wave" 6mm

B125



- One part sump unit + bucket + iron grating, meshes 10x30

B125

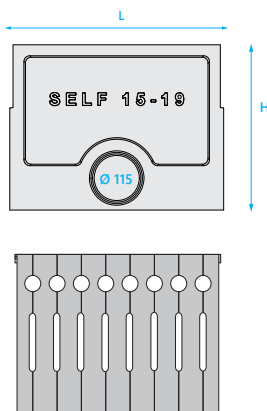
KTL coating



- One part sump unit + bucket + iron grating, meshes 10x30 KTL

L	500	500	500
H	250	250	250
Front/side outlet	Ø 110	Ø 110	Ø 110
KG	14,70	14,70	14,70
Article number	AU10011373 for H=60-120	AU10011334N for H=60-120	AU10011335N for H=60-120

SUMP UNIT 150*



A15



■ Two parts sump unit + bucket
+ galvanised grating slot 10mm

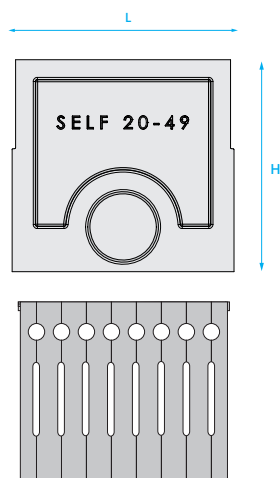
B125



■ Two parts sump unit + bucket
+ iron grating slot "S" 11mm

L	500	500
H	400	400
Outlet front/side	Ø 115	Ø 115
KG	40,00	43,20
Article number	AU10401111N	AU10401327N

SUMP UNIT 200*



B125



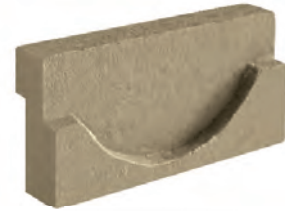
■ Two parts sump unit + bucket
+ iron grating slot "S" 11mm

L	500
H	590
Outlet front/side	Ø 110/160/200
KG	46,90
Article number	AU10401326N

* For channels **SELF 150 / H=120** or **SELF 200 / H=130**, is necessary to buy STEPPED FALL to connect channels with SUMP UNIT.

STEPPED FALL 100/150/200

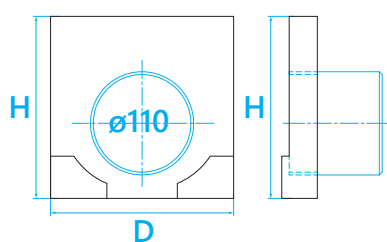
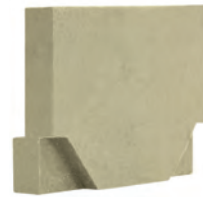
Type	For channel (H)	KG	Article number
100	H 60/80/100/120	0,70	AL10000101
150	H 120/190	0,70	AL15000103
200	H 130/240	0,70	AL20000101



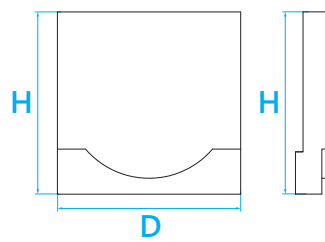
SELF

ENDCAPS 100/150/200

Type	H	Outlet	KG	Article number
100	60	-	0,40	AE10062000N
100	60	Ø 50	0,40	AE10262000N
100	80	-	0,50	AE10012000N
100	80	Ø 110	0,50	AE10172000N
100	100	-	0,60	AE10102000N
100	100	Ø 110	0,60	AE10112000N
150	120	-	1,20	AE15022000
150	190	-	1,70	AE15002000N
150	190	Ø 110	1,70	AE15012000N
200	130	-	1,50	AE20022000
200	240	-	3,20	AE20002000
200	240	Ø 160	3,20	AE20012000



Closed endcap



Endcap with pipe

SIPHON 100

Type	For outlet	Article number
Two parts siphon - installation only on channel B=100 with pipe	Ø 110	AS10400000

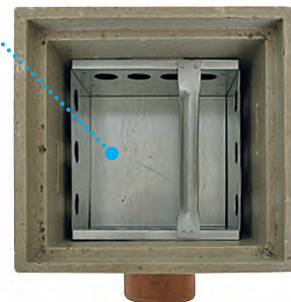
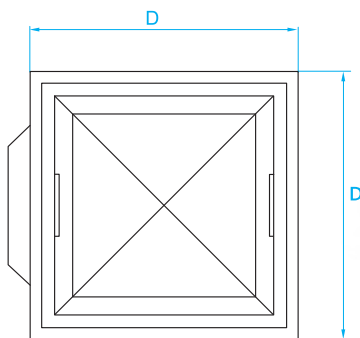
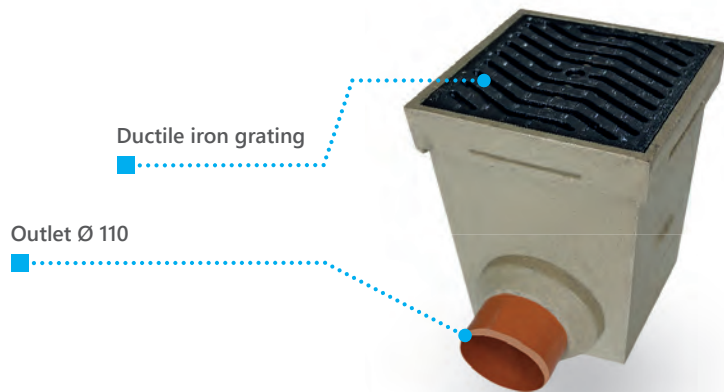
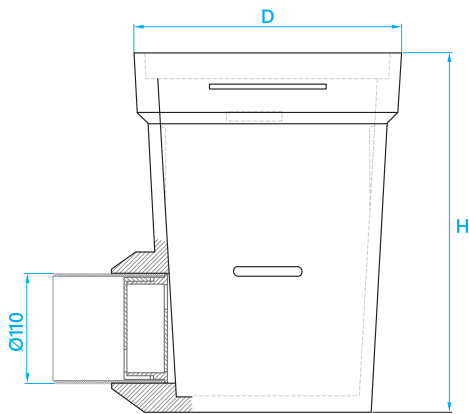


SELF

GARDEN GULLY

D	H	KG	Article number
270x270	367	16,00	SG25251711

Garden gully

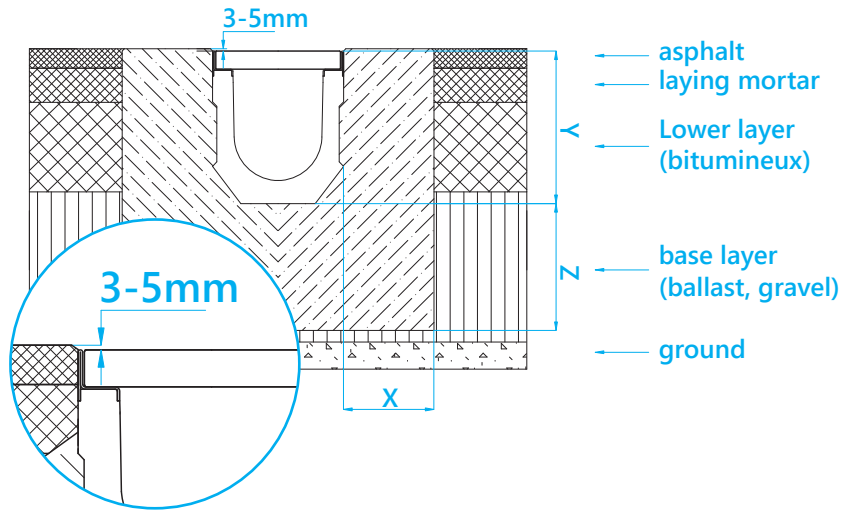


INSTALLATION INSTRUCTIONS

INSTALLATION EXAMPLE - ASPHALT

CLASS A15 / B125 / C250

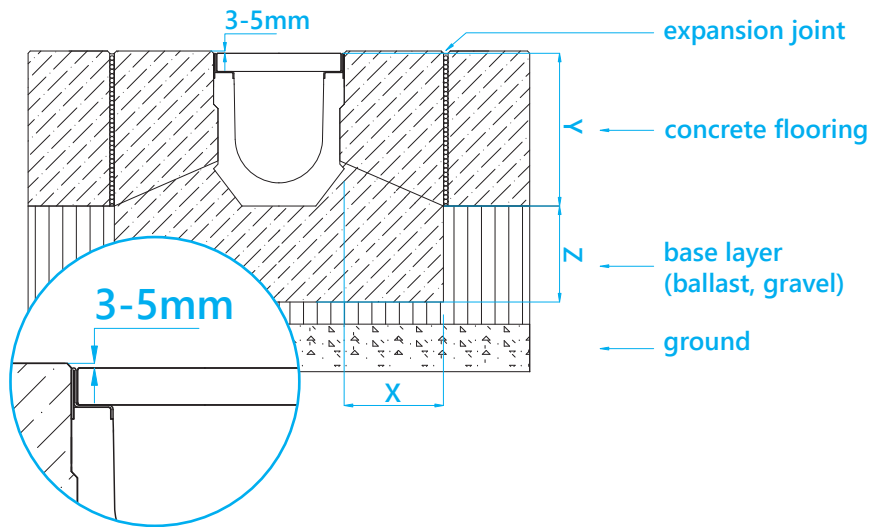
Load Class ac.: PN EN 1433		A15	B125	C250
Minimum compressive concrete strength to:	DIN 1045-2	B15	B15	B25
	DIN EN 206-01	C12/15	C12/15	C20/25
Dimensions	X (mm)	≥ 100	≥ 100	≥ 150
	Y (mm)	Upper part of pocket anchor		
	Z (mm)	≥ 100	≥ 100	≥ 150



INSTALLATION EXAMPLE - CONCRETE

CLASS A15 / B125 / C250

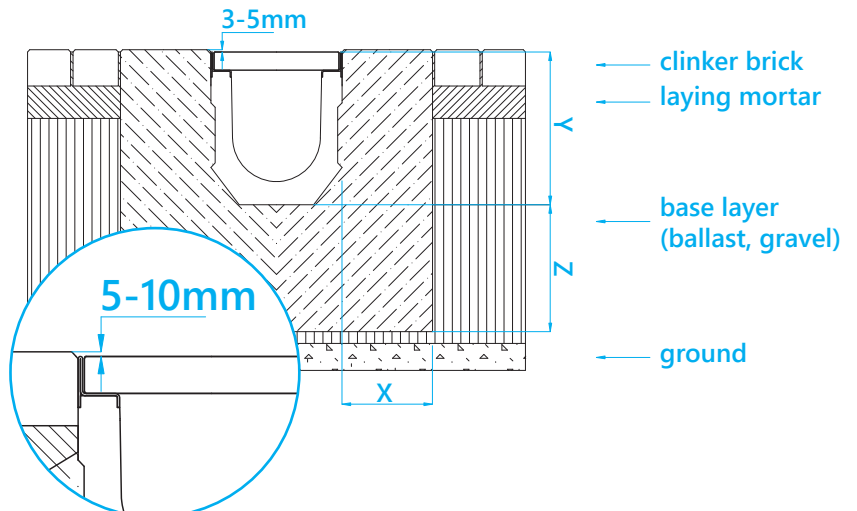
Load Class ac.: PN EN 1433		A15	B125	C250
Minimum compressive concrete strength to:	DIN 1045-2	B15	B15	B25
	DIN EN 206-01	C12/15	C12/15	C20/25
Dimensions	X (mm)	≥ 100	≥ 100	≥ 150
	Y (mm)	Upper part of pocket anchor		
	Z (mm)	≥ 100	≥ 100	≥ 150



INSTALLATION EXAMPLE - CLINKER BRICK

CLASS A15 / B125 / C250

Load Class ac.: PN EN 1433		A15	B125	C250
Minimum compressive concrete strength to:	DIN 1045-2	B15	B15	B25
	DIN EN 206-01	C12/15	C12/15	C20/25
Dimensions	X (mm)	≥ 100	≥ 100	≥ 150
	Y (mm)	Upper part of pocket anchor		
	Z (mm)	≥ 100	≥ 100	≥ 150



where can you find us?

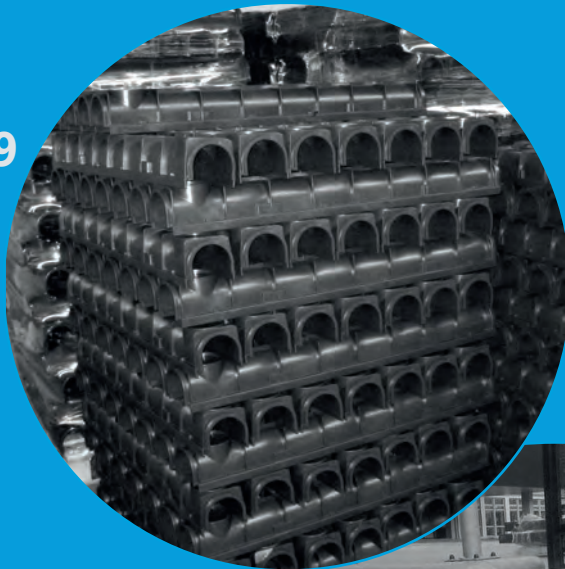
IMCOMA nv

Zwaarveld 32

9220 Hamme

tel. +32 (0)52 499 899

info@imcoma.com

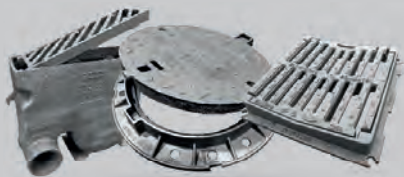


IMCOMA S.A. is not responsible for printing errors and reserves the right to change the technical specifications at any time without prior notice. Drawings, photos, weights and colours are given as an indication only without any contractual value.

STORA-DRAIN

is part of the BSI group

(owned by the Belgian Ide family). The following companies are part of the group:



fondatel.com

FONDATEL is a Belgian foundry offering a wide range of high quality products with references in Belgium and France among others. A very large stock and an efficient logistical organisation result in very short delivery times. Resolutely focused on innovation, FONDATEL regularly offers new products that meet the expectations of clients and public works companies.



hermelock.be

The composition, however, consists of composite materials, which makes the products extremely light compared to their volume. As a result, they are very easy to handle and can be placed by one person



bsibelgium.be

BSI producer of pvc pipes (range from sewerage up to sanitary and rain water disposal, and pipes in polyethylene, cable trays and electrical conduits);



IMCOMA s.a.
Zwaarveld 32
9220 Hamme, Belgium
Phone +32 (0)52 499 899
info@imcoma.com

 **STORA-DRAIN**



www.stora-drain.be