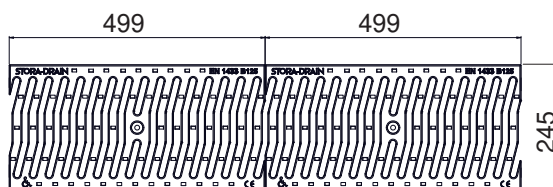
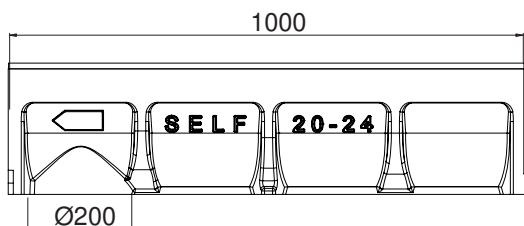
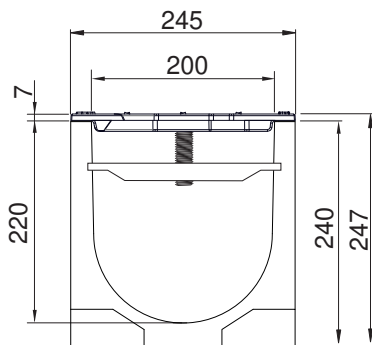


STORA SELF 200 - H240

with slotted grating ductile iron B125, 11mm slot

EN1433:2005

B125



DESCRIPTION

Polyester concrete drainage channel, width 200, height 240 with slotted ductile iron gratings B125, 11mm slot.

PRODUCT ADVANTAGES

- Grating: 2 slotted gratings ductile iron, 11mm slot
- Waterway area of the 2 gratings: 4,30 dm²
- Hydraulic capacity of the 2 gratings: 28,25 L/sec
- Grating slot < 20 mm, for additional security for wheelchairs and bicycles.
- Grating fixing system: anchorage type I (M8x4)
- Predrilled vertical outlet Ø200
- Edges of the channels are not visible = aesthetic
- The channels are assembled against each other by means of a tongue and groove jointing system (male/female); to ensure the channels watertightness it is recommended to use a suitable elastic polyurethane sealant.

MATERIAL

- Channel: polyester concrete
- Grating: ductile iron GJS 500-7 following on EN1563

COATING

Grating: Non-toxic and non-polluting black water paint

CERTIFICATION

Certified EN 1433:2005

PLACE OF INSTALLATION

Group 2, Class B125 →see EN1433

Footways, pedestrian areas and comparable areas, private car parks or car parking decks.

OPTIONS

- Endcap with outlet Ø160
- Endcap without outlet
- Sump unit
- Stepped fall
- Also available in height 130

REFERENCE	ARTICLE N°	KG	UNITS PER PALLET
Stora-Self 200 H240 ductile iron slotted gratings B125	SE20241326N	35,70	16
Stora-Self 200 H240 channel 1m	SE20241000N	25,50	
Slotted ductile iron gratings B125, 11mm slot	RSE200B326	(2x) 5,10	
Anchorage type I			

Sizes in mm - Weights, sizes and sketch are indicative - Uncontrolled distribution.