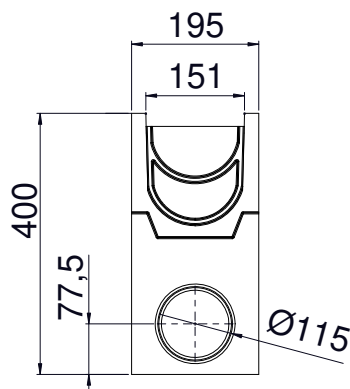
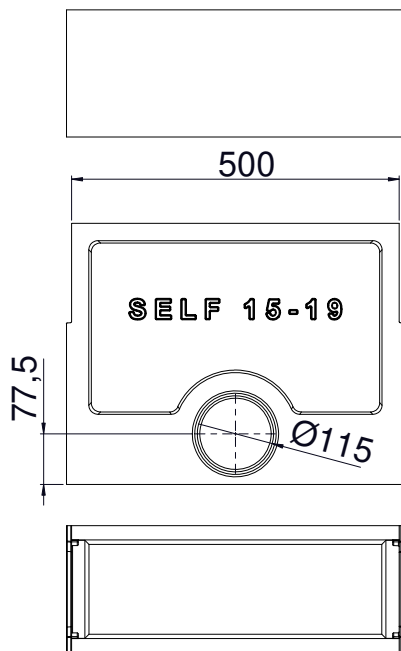


SUMP UNIT for STORA SELF 150

EN1433:2005

A15

B125



DESCRIPTION

Sump unit with bucket for Stora-Self 150 channel

PRODUCT ADVANTAGES

- For all domestic uses
- Different gratings for aesthetic drainage
- Delivered with galvanised bucket
- Front and side outlet: Ø 115
- For channels SELF 150 / H=120, is necessary to buy STEPPED FALL to connect channels with SUMP UNIT.

MATERIAL

- Sump unit: polyester concrete
- Bucket: galvanised steel

CERTIFICATION

Certified EN 1433:2005

PLACE OF INSTALLATION

Group 1, Class A15 →see EN1433

Around private houses: on terraces, in front of garage doors and on domestic driveways.

Group 2, Class B125 →see EN1433

Footways, pedestrian areas and comparable areas, private car parks or car parking decks.

OPTION

Stepped fall 150 for channel H120/H190

REFERENCE	WITH GRATING (L 0,5M)	ARTICLE N°	KG	UNITS PER PALLET
Sump unit for Stora-Self channel 150	slotted galvanized grating slot 10mm. A15	AU10401111N	27,00	
Sump unit for Stora-Self channel 150	slotted iron grating slot 12mm B125	AU10401327N	31,00	

Sizes in mm - Weights, sizes and sketch are indicative - Uncontrolled distribution.