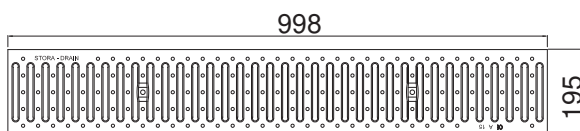
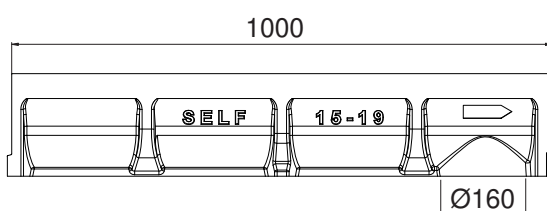
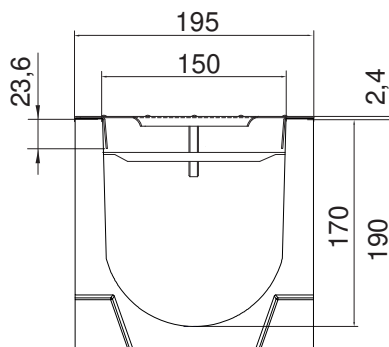


STORA SELF 150 - H190

with slotted galvanised grating A15, 10mm slot

EN1433:2005

A15



DESCRIPTION

Polyester concrete drainage channel, width 150, height 190 and slotted galvanised steel grating A15, 10mm slot.

PRODUCT ADVANTAGES

- Grating: slotted galvanised steel grating, 10mm slot
- Waterway area of the grating: 4,20dm²
- Hydraulic capacity of the grating: 27,50 L/sec
- Grating slot < 20 mm, for additional security for wheelchairs and bicycles.
- Grating fixing system: anchorage type I (M8x4)
- Predrilled vertical outlet Ø160
- Release through leverage by any traditional tools
- Edges of the channels are not visible = aesthetic
- The channels are assembled against each other by means of a tongue and groove jointing system (male/female); to ensure the channels watertightness it is recommended to use a suitable elastic polyurethane sealant.

MATERIAL

- Channel: polyester concrete
- Grating: galvanised steel

CERTIFICATION

Certified EN 1433:2005

PLACE OF INSTALLATION

Group 1, Class A15 →see EN1433

Around private houses: on terraces, in front of garage doors and on domestic driveways.

OPTIONS

- Endcap with outlet Ø 110
- Endcap without outlet
- Stepped fall
- Sump unit
- Also available in height 120
- Channel-cross 0,5m

REFERENCE	ARTICLE N°	KG	UNITS PER PALLET
Stora-Self 150 H190 slotted galvanised grating A15, slots 10mm	SE15191110N	16,20	30
Stora-Self 150 H190 channel 1m	SE15191000N		
Slotted galvanised grating A15, slots 10mm			
Anchorage type I			

Sizes in mm - Weights, sizes and sketch are indicative - Uncontrolled distribution.