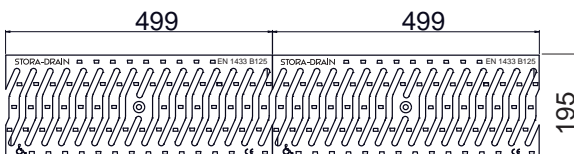
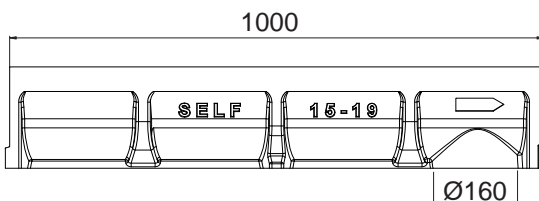
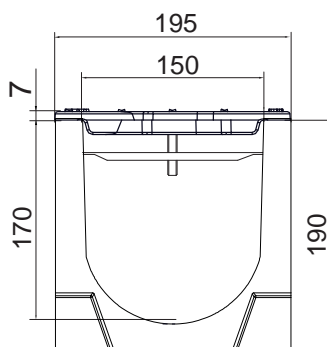


STORA SELF 150 - H190

with slotted grating ductile iron B125, 12mm slot

EN1433:2005

B125



DESCRIPTION

Polyester concrete drainage channel, width 150, height 190 with slotted grating ductile iron B125, 12mm slot

PRODUCT ADVANTAGES

- Grating: 2 slotted gratings ductile iron, 12mm slot
- Waterway area of the 2 gratings: 3,60 dm²
- Hydraulic capacity of the 2 gratings: 21,00 L/sec
- Grating slot < 20 mm, for additional security for wheelchairs and bicycles.
- Grating fixing system: anchorage type I (M8x4)
- Predrilled vertical outlet Ø160
- Release through leverage by any traditional tools
- Edges of the channels are not visible = aesthetic
- The channels are assembled against each other by means of a tongue and groove jointing system (male/female); to ensure the channels watertightness it is recommended to use a suitable elastic polyurethane sealant.

MATERIAL

- Channel: polyester concrete
- Grating: ductile iron GJS 500-7 following on EN1563

COATING

Grating: Non-toxic and non-polluting black water paint

CERTIFICATION

Certified EN 1433:2005

PLACE OF INSTALLATION

Group 2, Class B125 →see EN1433

Footways, pedestrian areas and comparable areas, private car parks or car parking decks.

OPTIONS

- Endcap with outlet Ø 110
- Endcap without outlet
- Stepped fall
- Sump unit
- Also available in height 120
- Channel-cross 0,5m

REFERENCE	ARTICLE N°	KG	UNITS PER PALLET
Stora-Self 150 H190 ductile iron gratings B125, 12mm slot	SE15191327N	27,00	25
Stora-Self 150 H190 1m channel	SE15191000N		
Ductile iron gratings B125, 12mm slot	RSE150B327		
Anchorage type I			

Sizes in mm - Weights, sizes and sketch are indicative - Uncontrolled distribution.