

STORA SELF 100 - H80 with slotted galvanised grating A15, 6mm slot

EN1433:2005

A15



DESCRIPTION

Polyester concrete drainage channel, width 100, height 80 and slotted galvanised grating A15, 6mm slot.

PRODUCT ADVANTAGES

- Grating: slotted galvanised grating, 6mm slot
- Waterway area of the grating: 1,80dm²
- Hydraulic capacity of the grating: 11,82 L/sec
- Grating slot < 20 mm, for additional security for wheelchairs and bicycles.
- Grating fixing system: Fix system
- Predrilled vertical outlet $\varnothing 110$
- Release through leverage by any traditional tools
- Edges of the channels are not visible = aesthetic
- The channels are assembled against each other by means of a tongue and groove jointing system (male/female); to ensure the channels watertightness it is recommended to use a suitable elastic polyurethane sealant.

MATERIAL

- Channel: polyester concrete
- Grating: galvanised steel

CERTIFICATION

Certified EN 1433:2005

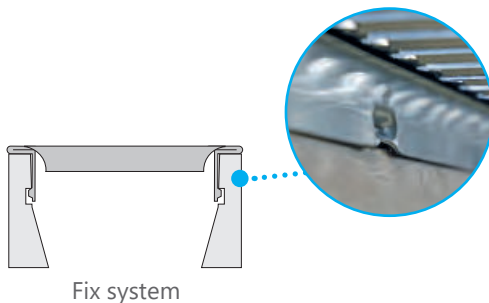
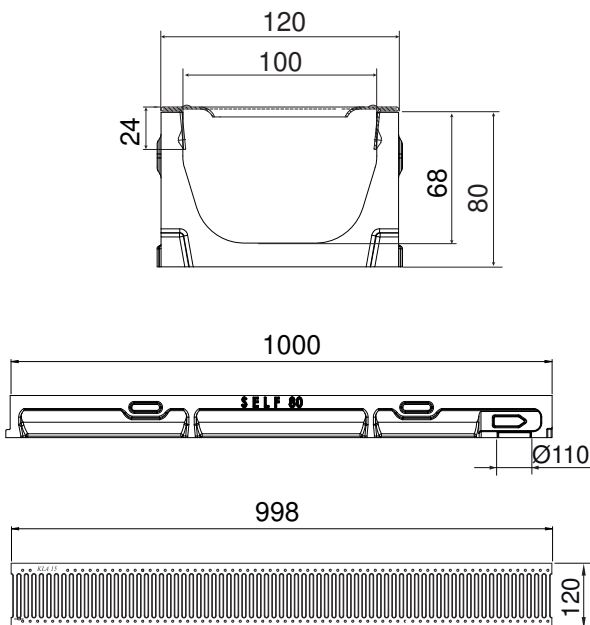
PLACE OF INSTALLATION

Group 1, Class A15 →see EN1433

Around private houses: on terraces, in front of garage doors and on domestic driveways.

OPTIONS

- Endcap with outlet $\varnothing 110$
- Endcap without outlet
- Stepped fall
- Sump unit
- Also available in height 80 and 100



REFERENCE	ARTICLE N°	KG	UNITS PER PALLET
Stora-Self 100 H80 slotted galvanised grating, 6mm slot A15	SE10081102N	6,20	108
Stora-Self 100 H80 channel 1m	SE10081000N	5,70	
Slotted galvanised grating, 6mm slot A15			

Sizes in mm - Weights, sizes and sketch are indicative - Uncontrolled distribution.