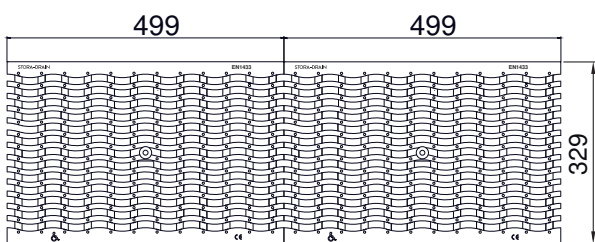
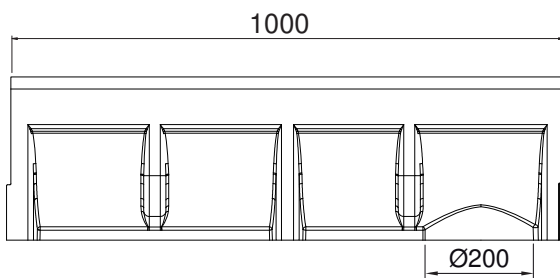
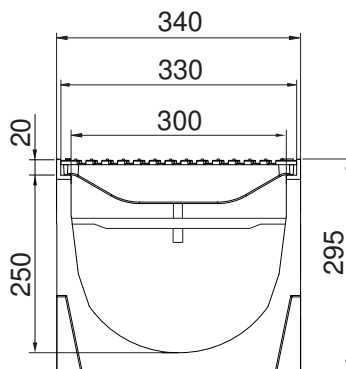


STORA OPTIMA PLUS 300 - H295

with D400 slotted ductile iron gratings, "WAVE"

EN1433:2005

D400



DESCRIPTION

Polyester concrete drainage channel, width 300, height 295 with protective iron profile and slotted ductile iron gratings D400, "WAVE" 12mm slot.

AVANTAGES DU PRODUIT

- Grating: 2 slotted gratings ductile iron, "WAVE" 12mm slot
- Waterway area of the 2 gratings: 5,90 dm²
- Hydraulic capacity of the 2 gratings: 38,80 L/sec
- Drainage channel with protective iron profile
- Grating slot < 20 mm, for additional security for wheelchairs and bicycles.
- Predrilled vertical outlet Ø200
- Grating fixing system: anchorage type I
- The channels are assembled against each other by means of a tongue and groove jointing system (male/female); to ensure the channels watertightness it is recommended to use a suitable elastic polyurethane sealant.

MATERIAL

- Channel: polyester concrete
- Channel profile: ductile iron GJS 500-7 following on EN1563
- Grating: ductile iron GJS 500-7 following on EN1563

COATING

Grating: Non-toxic and non-polluting black water paint

CERTIFICATION

Certified EN 1433:2005

PLACE OF INSTALLATION

Group 4, Class D400 →see EN1433:2005

Load traffic lanes (including pedestrian streets), hard shoulders and parking areas, for all types of road vehicles. Only longitudinal use, never transverse direction.

OPTIONS

- Sump unit
- Endcap with Ø 200 universal outlet
- Channel 0,5m cross piece with vertical outlet Ø 200

REFERENCE	ARTICLE N°	KG	UNITS PER PALLET
STORA-OPTIMA PLUS 300 H295 ductile iron gratings D400	SOP30291359		12
STORA-OPTIMA PLUS 300 H295 channel 1m	SOP30291000		
Ductile iron gratings D400, "WAVE" 12mm slot	RSB300D359		
Anchorage type I			

Sizes in mm - Weights, sizes and sketch are indicative - Uncontrolled distribution.