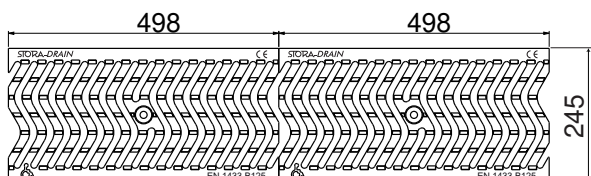
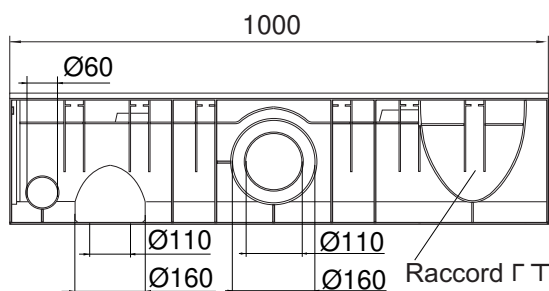
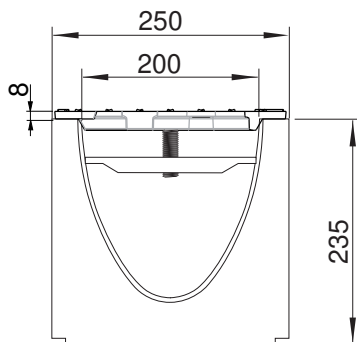


STORA ELLIPSE 200 - H235

with ductile iron gratings B125, 12mm slot

B125



DESCRIPTION

Polypropylene drainage channel width 200, height 235 with ductile iron gratings B125, 12mm slot

PRODUCT ADVANTAGES

- Grating: 2 gratings ductile iron, 12mm slot
- Waterway area of the 2 gratings: 8,60 dm²
- Hydraulic capacity of the 2 gratings: 56,50 L/sec
- Grating slot < 20 mm, for additional security for wheelchairs and bicycles.
- Gratings with unique anti-skid surface
- Pre-formed / to be cut out vertical outlet Ø110 / Ø160
- Pre-formed / to be cut out side outlet Ø110 / Ø160
- Grating fixing system: anchorage screw
- Easy opening by means of any traditional tool
- The channels are assembled against each other by means of a tongue and groove jointing system (male/female); to ensure the channels watertightness it is recommended to use a suitable elastic polyurethane sealant.

MATERIAL

- Channel: polypropylene
- Grating: ductile iron GJS 500-7 following on EN1563

COATING

Grating: Non-toxic and non-polluting black water paint

PLACE OF INSTALLATION

Group 2, Class B125 → see EN1433

Footways, pedestrian areas and comparable areas, private car parks or car parking decks.

REFERENCE	ARTICLE N°	KG	UNITS PER PALLET
Stora-Ellipse 200 H235 ductile iron gratings B125, 12mm slot	S6100210	14,20	24
Stora-Ellipse 200 H235 channel 1m	S6100200	4,00	
Ductile iron gratings B125, 12mm slot	S4400255	(2x) 5,10	
Anchorage type I	S5200001		

Sizes in mm - Weights, sizes and sketch are indicative - Uncontrolled distribution.