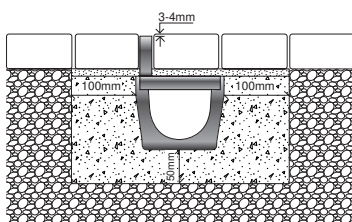
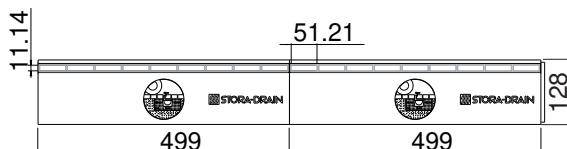
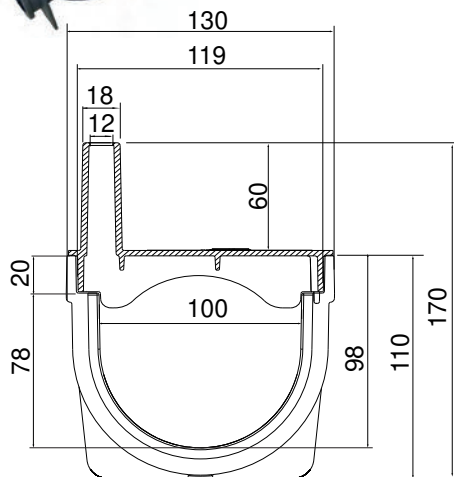


STORA ELLIPSE 100 - H110 with polypropylene narrow sleeve cover C250

C250



DESCRIPTION

Polypropylene drainage channel width 100, height 110 with 2 polypropylene narrow sleeve cover C250.

PRODUCT ADVANTAGES

- Lightweight channel, made of polypropylene.
- Waterway area of the 2 slot covers: 1,32 dm²
- Hydraulic capacity of the 2 slot covers: 8,66 L/sec
- Slotted cover, without without fixation, 60mm height, ideal for draining paved surfaces and pool decks (not sensitive to chlorine or salt treated bathing water).
- Discreet drainage without visible gratings for a more esthetic finish.
- Cover slot < 20 mm, for additional security for wheelchairs and bicycles.
- Pre-formed / to be cut out vertical outlet Ø100mm
- The channels are assembled against each other by means of a tongue and groove jointing system (male/female); to ensure the channels watertightness it is recommended to use a suitable elastic polyurethane sealant.
- Easy, 100% recyclable = environment friendly.

MATERIAL

- Channel: polypropylene
- Cover: polypropylene

PLACE OF INSTALLATION

Group 3, Class C250 →see EN1433

Kerb sides and non-trafficked areas of hard shoulders and similar.

OPTIONS

- Sealant for the watertightness of connections
- Endcap with preformed outlet
- Connection pipe Ø110mm
- Siphon 100

REFERENCE	ARTICLE N°	KG	UNITS PER PALLET
Stora-Light 100 H110 narrow sleeve cover C250	S6500455	2,40	56
Stora-Light 100 H110 channel 1m	S6500400X	1,40	
Narrow sleeve cover C250		(2x) 0,50	

Sizes in mm - Weights, sizes and sketch are indicative - Uncontrolled distribution.