

STORA ELLIPSE 100 - H110

with polyamide slotted grating B125, 7mm slot

B125



DESCRIPTION

Polypropylene drainage channel width 100, height 110 with slotted polyamide grating B125, 7mm slot.

PRODUCT ADVANTAGES

- Waterway area of the 2 gratings: 3,60 dm²
- Hydraulic capacity of the 2 gratings: 23,60 L/sec
- Grating slot < 20 mm, for additional security for wheelchairs and bicycles.
- Pre-formed / to be cut out vertical outlet dn100mm
- Grating are fixed onto the channel with 2 clips per grating
- Easy opening by means of any traditional tool
- The channels are assembled against each other by means of a tongue and groove jointing system (male/female); to ensure the channels watertightness it is recommended to use a suitable elastic polyurethane sealant.

MATERIAL

- Channel: polypropylene
- Grating: polyamide

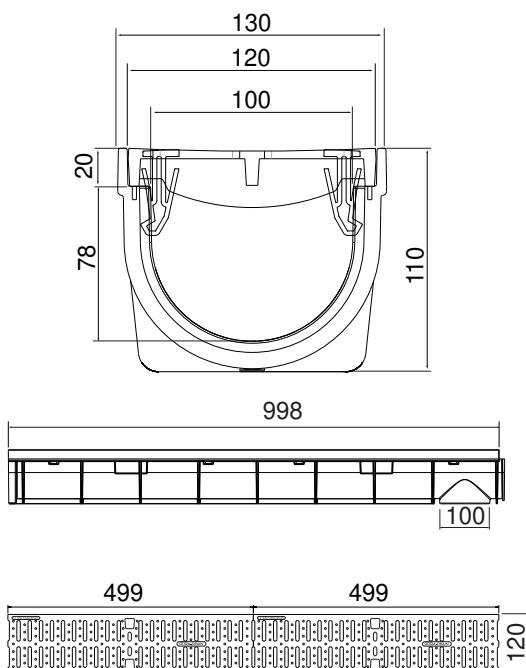
PLACE OF INSTALLATION

Group 2, Class B125 →see EN1433

Footways, pedestrian areas and comparable areas, private car parks or car parking decks.

OPTION

- Sealant for the watertightness of connections
- Endcap with preformed outlet
- Connection pipe Ø110mm, Ø100mm
- Siphon 100



Clips

REFERENCE	ARTICLE N°	KG	UNITS PER PALLET
Stora-Ellipse 100 H110 polyamide slotted grating B125, slots 7mm	S6500451	2,80	45
Stora-Ellipse 100 H110 polyamide slotted grating B125, slots 7mm	S6500453	2,80	72
Stora-Ellipse 100 H110 channel 1m	S6500400X	1,40	
Polyamide slotted grating B125, slots 7mm	S6500411	(2x) 0,70	
Clips (4x)	S6500412		

Sizes in mm - Weights, sizes and sketch are indicative - Uncontrolled distribution.