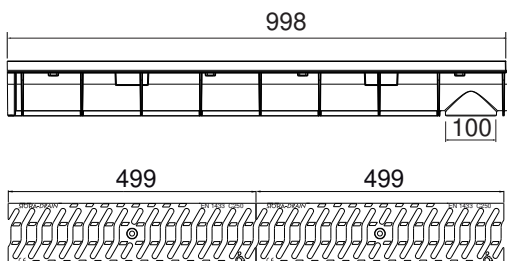
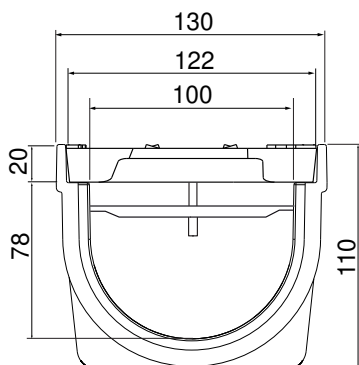


STORA ELLIPSE 100 - H110

with ductile iron gratings C250, 10mm slot

C250



DESCRIPTION

Polypropylene drainage channel width 100, height 110 with ductile iron gratings C250, 10mm slot

PRODUCT ADVANTAGES

- Grating: 2 gratings ductile iron
- Waterway area of the 2 gratings: 3,20 dm²
- Hydraulic capacity of the 2 gratings: 12,20 L/sec
- Grating slot < 20 mm, for additional security for wheelchairs and bicycles.
- Gratings with unique anti-skid surface
- Pre-formed / to be cut out vertical outlet Ø100mm
- Grating fixing system: anchorage screw
- Easy opening by means of any traditional tool
- The channels are assembled against each other by means of a tongue and groove jointing system (male/female); to ensure the channels watertightness it is recommended to use a suitable elastic polyurethane sealant.

MATERIAL

- Channel: polypropylene
- Grating: ductile iron GJS 500-7 following on EN1563

COATING

Grating: Non-toxic and non-polluting black water paint

PLACE OF INSTALLATION

Group 3, Class C250 →see EN1433

Kerb sides and non-trafficked areas of hard shoulders and similar.

OPTIONS

- Sealant for the watertightness of connections
- Endcap with preformed outlet
- Connection pipe Ø110mm
- Siphon 100

REFERENCE	ARTICLE N°	KG	UNITS PER PALLET
Stora-Ellipse 100 H110 ductile iron gratings C250, 10mm slot	S6100100	9,40	72
Stora-Ellipse 100 H110 channel 1m	S6500400X	1,40	-
Ductile iron gratings C250, 10mm slot	S2640000	(2x) 4,00	-
Anchorage type I	S5000001	-	-

Sizes in mm - Weights, sizes and sketch are indicative - Uncontrolled distribution.