

GARDEN GULLY

EN1433:2005

125kN



DESCRIPTION

Polyester concrete garden gully with 125kN cast iron grating and galvanised bucket

PRODUCT ADVANTAGES

- Garden gully height 367 and with outlet Ø110
- Siphon and bucket: supplied as standard with the garden gully
- Gratings with unique anti-skid surface

MATERIAL

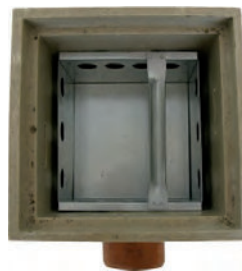
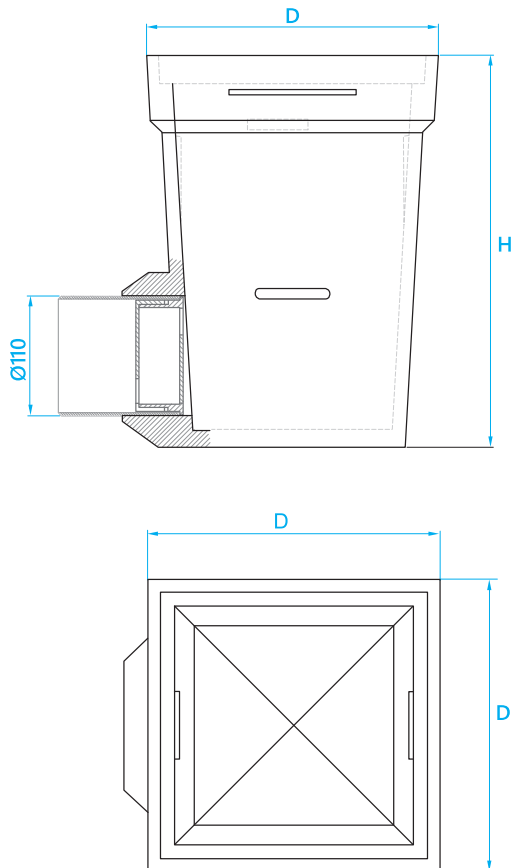
- Gully: polyester concrete
- Grating: ductile iron GJS 500-7 following on EN1563

COATING

Grating: Black water paint non-toxic and non-polluting

PLACE OF INSTALLATION

Footways, pedestrian areas and comparable areas, private car parks or car parking decks.



REFERENCE	ARTICLE N°	D	KG	UNITS PER PALLET
Garden gully	SG25251711	270x270	16,0	

Sizes in mm - Weights, sizes and sketch are indicative - Uncontrolled distribution.