

ENDCAP

for Stora Light & Stora Ellipse 100 - H110



DESCRIPTION

Endcap for STORA LIGHT 100 & STORA ELLIPSE 100 channel, height 110

PRODUCT ADVANTAGES

- Endcap with preformed outlet \varnothing 50, 70 et 80
- Compatible with:
 - STORA LIGHT 100 channel, height 110
 - STORA ELLIPSE 100 channel, height 110

MATERIAL

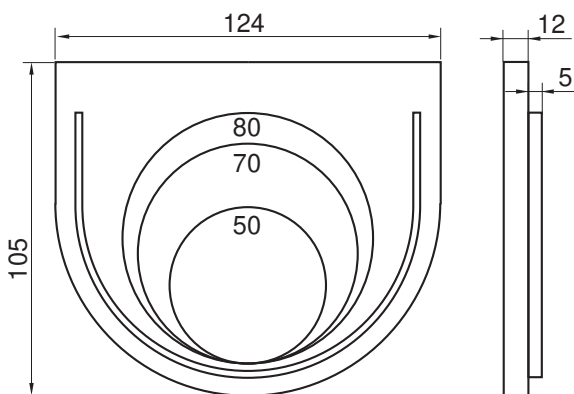
Polypropylene

PLACE OF INSTALLATION

Group 1, Class A15 → see EN1433
Around private houses: on terraces and on domestic driveways.

OPTION

- Available per piece or in display



REFERENCE	ARTICLE N°	KG	UNITS PER PALLET
Endcap	S6500420	0,10	

Sizes in mm - Weights, sizes and sketch are indicative - Uncontrolled distribution.