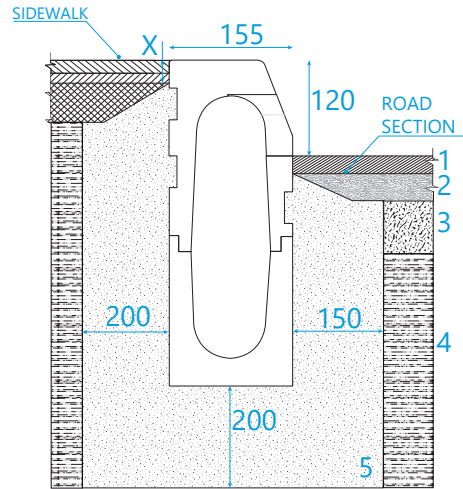


# INSTALLATION INSTRUCTIONS KERB

## INSTALLATION - KERB

### URBAN STREET

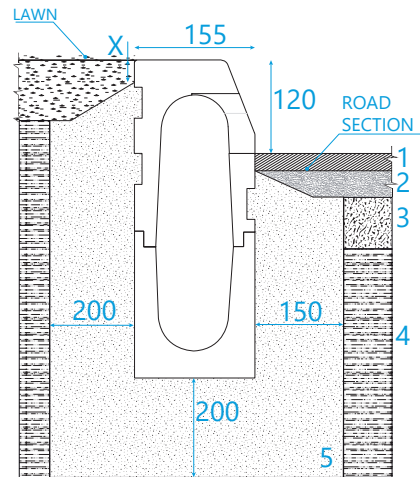
1. Sheet asphalt (ab. 4 cm)
2. Lower layer (conglomerat bitumineux - BINDER, ab. 10 cm)
3. Bearing layer (ab. 15 cm)
4. Subfloor (ab. 50 cm)
5. Concrete reinforcement layer  
x > 3 cm



## INSTALLATION - KERB

### GREEN AREAS

1. Sheet asphalt (ab. 4 cm)
2. Lower layer (conglomerat bitumineux - BINDER, ab. 10 cm)
3. Bearing layer (ab. 15 cm)
4. Subfloor (ab. 50 cm)
5. Concrete reinforcement layer  
x > 3 cm



## INSTALLATION - KERB

### EXTRA URBANE AREAS (HEAVY TRAFFIC)

1. Sheet asphalt (ab. 4 cm)
2. Lower layer (conglomerat bitumineux - BINDER, ab. 10 cm)
3. Bearing layer (ab. 15 cm)
4. Subfloor (ab. 50 cm)
5. Concrete reinforcement layer

