

STORA BASE 300 - H295

with C250 slotted ductile iron gratings, "WAVE"

EN1433:2005

C250



DESCRIPTION

Polyester concrete drainage channel, width 300, height 295 with slotted ductile iron gratings C250, "WAVE" 12mm slot. Drainage channels for car parks, shopping streets and pavements

PRODUCT ADVANTAGES

- Grating: 2 slotted gratings ductile iron, "WAVE" 12mm slot
- Waterway area of the 2 gratings: 5,90 dm²
- Hydraulic capacity of the 2 gratings: 38,80 L/sec
- Drainage channel with 2mm galvanized profile
- Grating slot < 20 mm, for additional security for wheelchairs and bicycles.
- Predrilled vertical outlet Ø200
- Grating fixing system: anchorage type I
- Release through leverage by any traditional tools
- The channels are assembled against each other by means of a tongue and groove jointing system (male/female); to ensure the channels watertightness it is recommended to use a suitable elastic polyurethane sealant.

MATERIAL

- Channel: polyester concrete
- Channel profile: galvanised steel
- Grating: ductile iron GJS 500-7 following on EN1563

COATING

Grating: Non-toxic and non-polluting black water paint

CERTIFICATION

Certified EN 1433:2005

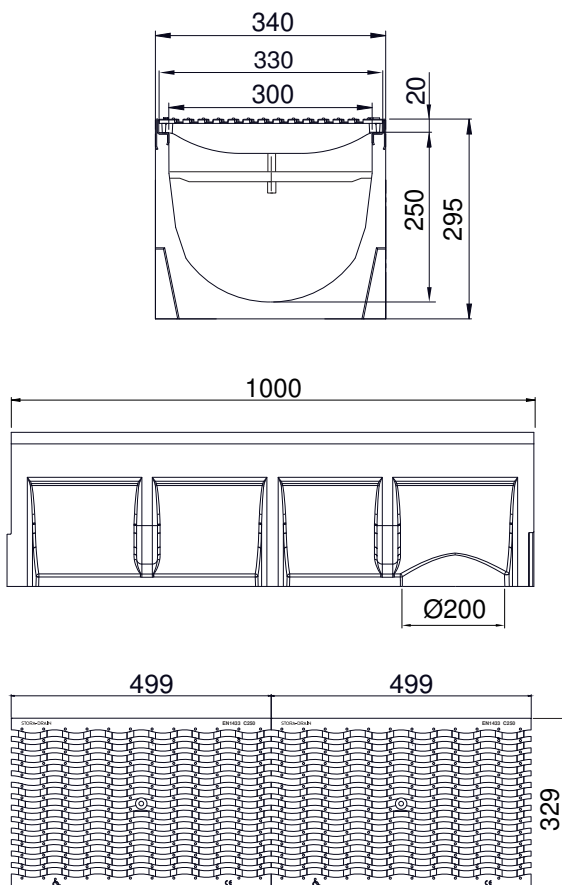
PLACE OF INSTALLATION

Group 3, Class C250 → see EN1433

Kerb sides and non-trafficked areas of hard shoulders and similar.

OPTIONS

- Sealant for the watertightness of connections
- Endcap with Ø 200 universal outlet
- Sump unit
- Standard 0,5m channel with vertical outlet Ø200



REFERENCE	ARTICLE N°	KG	UNITS PER PALLET
Stora-Base 300 H295, ductile iron gratings C250	SB30291355	66,90	12
Stora-Base 300 H295 channel 1m	SB30291000D	38,50	
Ductile iron gratings C250, "WAVE" 12mm slot	RSB300C355	(2x) 14,20	
Anchorage type I			

Sizes in mm - Weights, sizes and sketch are indicative - Uncontrolled distribution.