

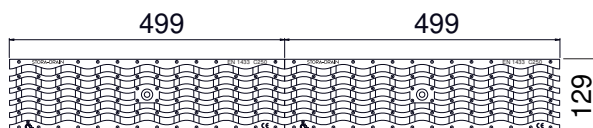
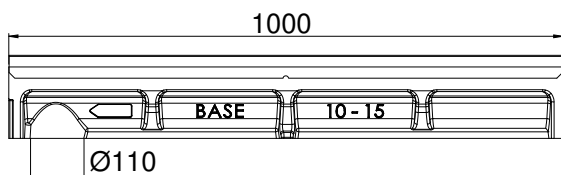
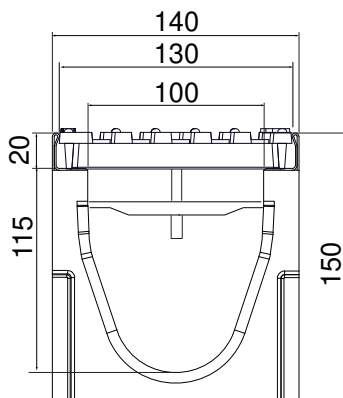
STORA BASE 100 - H150

with C250 slotted ductile iron gratings, "WAVE"



EN1433:2005

C250



OPTIONS

- Endcap with or without outlet
- Sump unit
- Stepped fall
- Also available in height 80, 100, 200 and 250
- Standard 0,5m channel with vertical outlet Ø110

DESCRIPTION

Polyester concrete drainage channel, width 100, height 150 with slotted ductile iron gratings C250, "WAVE" 12mm slot. Drainage channels for car parks, shopping streets and pavements

PRODUCT ADVANTAGES

- Grating: 2 slotted gratings ductile iron, "WAVE" 12mm slot
- Waterway area of the 2 gratings: 1,80 dm²
- Hydraulic capacity of the 2 gratings: 11,83 L/sec
- Drainage channel with 2mm galvanized profile
- Grating slot < 20 mm, for additional security for wheelchairs and bicycles.
- Predrilled vertical outlet Ø110
- Grating fixing system: anchorage type I
- Release through leverage by any traditional tools
- The channels are assembled against each other by means of a tongue and groove jointing system (male/female); to ensure the channels watertightness it is recommended to use a suitable elastic polyurethane sealant.
- Can be installed in cascade with height 100, 200 and 250.

MATERIAL

- Channel: polyester concrete
- Channel profile: galvanised steel
- Grating: ductile iron GJS 500-7 following on EN1563

COATING

Grating: Non-toxic and non-polluting black water paint

CERTIFICATION

Certified EN 1433:2005

PLACE OF INSTALLATION

Group 3, Class C250 →see EN1433

Kerb sides and non-trafficked areas of hard shoulders and similar.

REFERENCE	ARTICLE N°	KG	UNITS PER PALLET
Stora-Base 100 H150 ductile iron „WAVE” gratings C250	SB10151352	18,50	35
Stora-Base 100 H150 channel 1m	SB10151000C	12,00	
Slotted ductile iron gratings C250, "WAVE" 12mm slot	RSB100C352	(2x) 3,25	
Anchorage type I			

Sizes in mm - Weights, sizes and sketch are indicative - Uncontrolled distribution.