

# STORA BASE 100 - H150

with galvanised mesh grating C250, mesh 30x10mm

EN1433:2005

C250



## DESCRIPTION

Polyester concrete drainage channel, width 100, height 150 with galvanised mesh grating C250, mesh 30x10mm. Drainage channels for car parks, shopping streets and pavements.

## PRODUCT ADVANTAGES

- Galvanised mesh grating C250, mesh 30x10mm
- Waterway area of the grating: 2,20 dm<sup>2</sup>
- Hydraulic capacity of the grating: 14,46 L/sec
- Drainage channel with 2mm galvanized profile
- Predrilled vertical outlet Ø110
- Release through leverage by any traditional tools
- The channels are assembled against each other by means of a tongue and groove jointing system (male/female); to ensure the channels watertightness it is recommended to use a suitable elastic polyurethane sealant.
- Can be installed in cascade with height 100, 200 and 250.

## MATERIAL

- Channel: polyester concrete
- Channel profile: galvanised steel
- Grating: galvanised steel

## CERTIFICATION

Certified EN 1433:2005

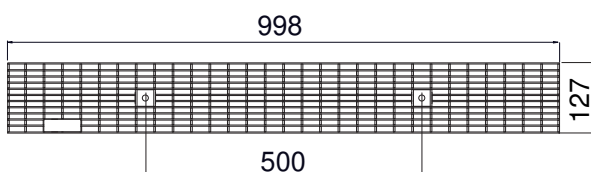
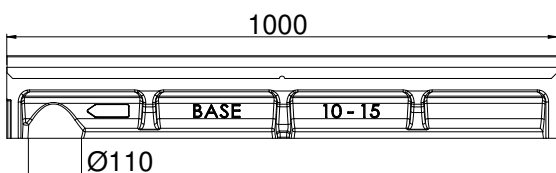
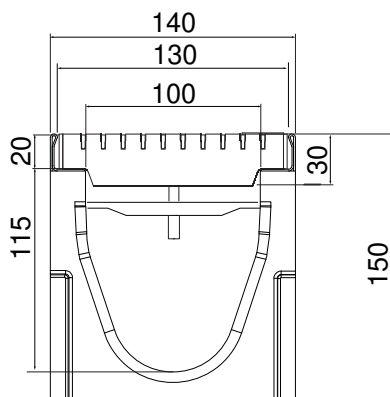
## PLACE OF INSTALLATION

Group 3, Class C250 → see EN1433

Kerb sides and non-trafficked areas of hard shoulders and similar.

## OPTIONS

- Endcap with or without outlet
- Sump unit
- Stepped fall
- Also available in height 80, 100, 200 and 250
- Standard 0,5m channel with vertical outlet Ø110



REFERENCE	ARTICLE N°	KG	UNITS PER PALLET
Stora-Base 100 H150 galvanised mesh grating C250, mesh 30x10mm	SB10151225	15,10	35
Stora-Base 100 H100 channel 1m	SB10151000C	12,00	
Galvanised mesh grating C250, mesh 30x10mm			

Sizes in mm - Weights, sizes and sketch are indicative - Uncontrolled distribution.